



# CATALOG OF REPLACEMENT PARTS

## MODELS H600 & L800 SERIES MIXERS

(INCLUDES MOTOR PARTS)

### MANUAL BOWL LIFT

H600	ML-33373
H600-D	ML-33375
H600-T	ML-33374
H600-DT	ML-33376
L800	ML-33395
L800-D	ML-33396

### POWER BOWL LIFT

H600	ML-33377
H600-D	ML-33379
H600-T	ML-33378
H600-DT	ML-33380
L800	ML-33397
L800-D	ML-33398

THIS MANUAL REPLACES AND SHOULD BE USED  
INSTEAD OF FORMS 13452 (9-80) & 13447 (8-80).

### PRIOR ML'S COVERED IN THIS MANUAL:

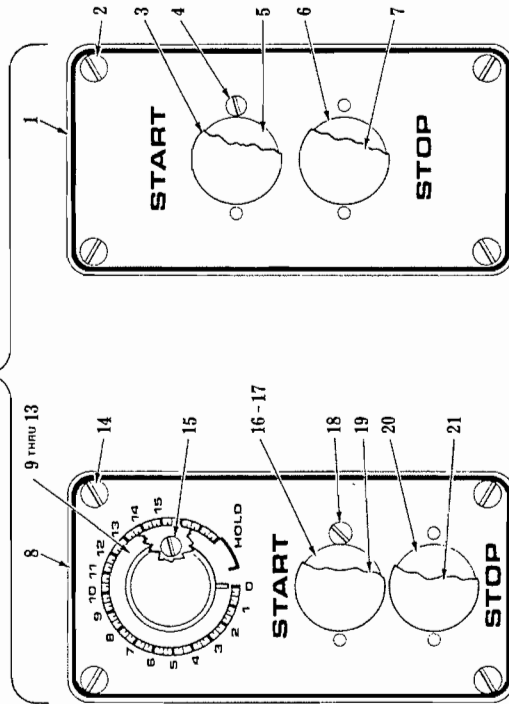
#### MANUAL BOWL LIFT

H600	ML-19306
H600-D	ML-19307
H600-T	ML-19286
H600-DT	ML-19308
L800	ML-19315
L800-D	ML-19316

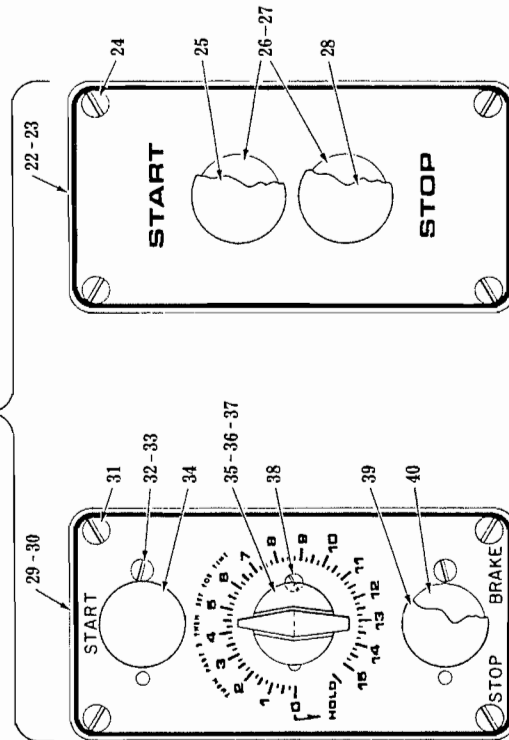
#### POWER BOWL LIFT

H600	ML-19311
H600-D	ML-19313
H600-T	ML-19312
H600-DT	ML-19314
L800	ML-19317
L800-D	ML-19318

MACHINE ML'S  
33373 THRU 33380,  
33395 THRU 33398



MACHINE ML'S  
19286, 19306, 19307, 19308,  
19311 THRU 19318



PL-9144-J

SWITCH PLATE AND TIMER UNIT

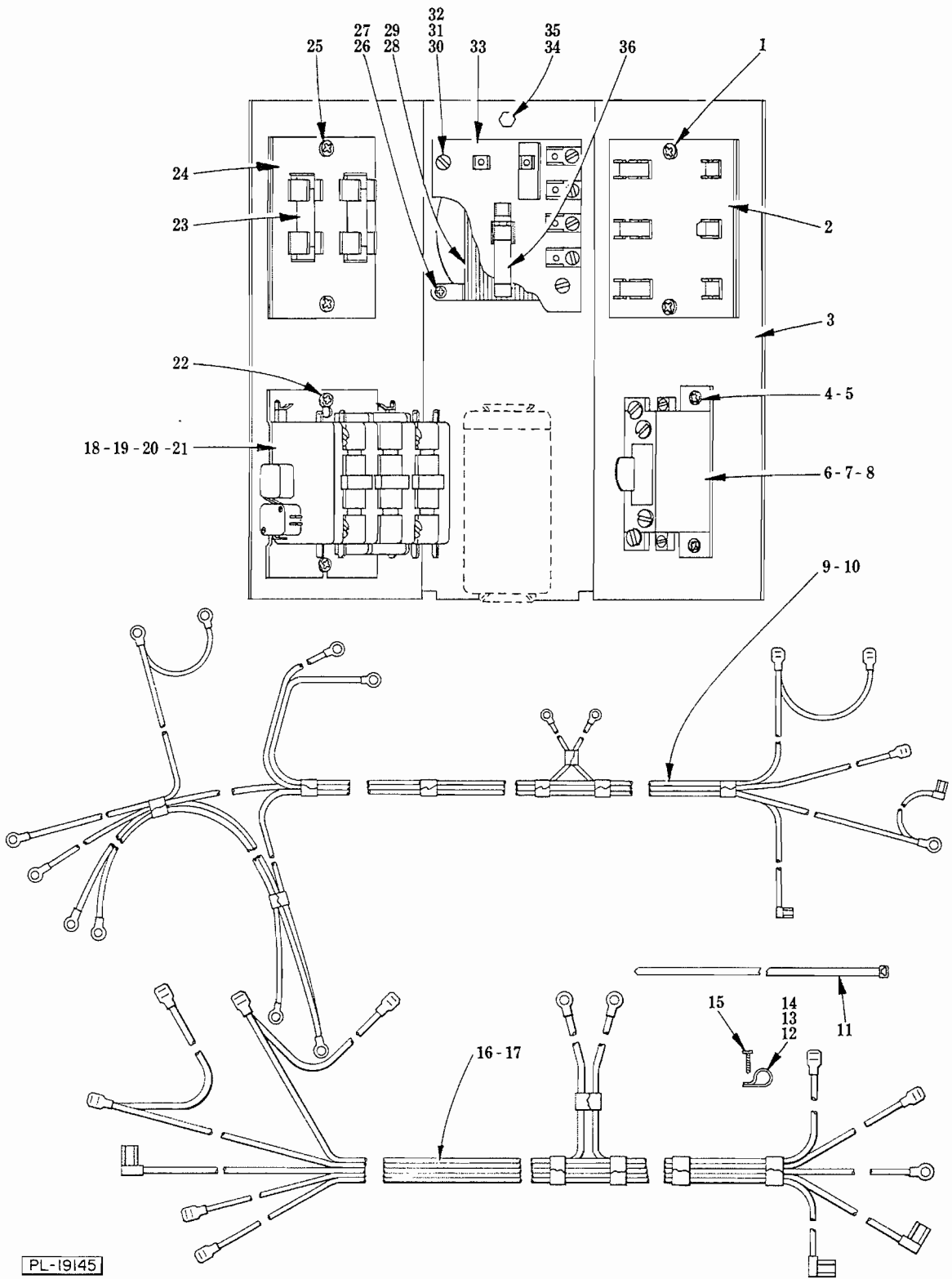
**SWITCH PLATE AND TIMER UNIT**

ILLUS. PL-19144-1	PART NO.	NAME OF PART <sup>25</sup>	AMT.
1	291727	Plate - Switch (H600)	1
2	123131	Self-Tapping Screw 8-32 x 3/8 Truss Hd. "Taptite"	4
3	102467-1	Cap - Push Button (Start)	1
4	SC-13-12	Mach. Screw 6-32 x 1/4 Flat Hd	4
5	87711-183-1	Switch - Push Button	1
6	87711-183-2	Switch - Push Button	1
7	102467-2	Cap - Push Button (Stop)	1
8	291729	Plate - Switch	1
9	291748	Knob	1
10	294650-4-1	Timer Assy. (115 V., 60 Hz.)	1
11	294650-4-2	Timer Assy. (230 V., 60 Hz.)	1
12	294650-4-3	Timer Assy. (115 V., 50 Hz.)	1
13	294650-4-4	Timer Assy. (230 V., 50 Hz.)	1
14	123131	Self-Tapping Screw 8-32 x 3/8 Truss Hd. "Taptite"	4
15	SC-13-7	Mach. Screw 5-40 x 1/4 Flat Hd	2
16	87711-183-1	Switch - Push Button	1
17	291750	Insulator - Push Button Switch	1
18	SC-13-12	Mach. Screw 6-32 x 1/4 Flat Hd	4
19	102467-1	Cap - Push Button (Start)	1
20	87711-183-2	Switch - Push Button	1
21	102467-2	Cap - Push Button (Stop)	1
*22	— — —	Plate - Switch	1
23	69485	Insulation - Push Button Station	1
24	123131	Self-Tapping Screw 8-32 x 3/8 Truss Hd., Type TT	4
25	68984-1	Cap - Push Button (Start)	1
*26	— — —	Push Button Station Assy	1
27	SC-12-36	Mach. Screw 10-24 x 3/4 Fil. Hd	2
28	68984-2	Cap - Push Button (Stop)	1
*29	— — —	Plate - Timer (15 Min.)	1
30	69918	Insulator - Push Button Station	1
31	123131	Self-Tapping Screw 8-32 x 3/8 Truss Hd. "Taptite"	4
32	SC-15-26	Mach. Screw 8-32 x 5/16 Oval Hd	4
33	WS-2-18	Washer	4
34	102467-1	Cap - Push Button (Start)	1
*35	— — —	Timer & Gasket Assy. (15 Min.)	1
36	103229	Timer, Dial & Gasket Assy. (30 Min.) (Incls. items 37 & 38)	1
37	73540	Dial - Timer (30 Min.)	1
38	SC-13-7	Mach. Screw 5-40 x 1/4 Flat Hd	2
39	102467-2	Cap - Push Button (Stop)	1
*40	— — —	Push Button Station Assy	2

\*Items 22, 26, 29, 35 & 40 have been discontinued, order Service Kit 291826 to convert to New Style Non-timed Machine.

To convert to New Style Timed Machine order:

- 291827-1 (115 V., 60 Hz.)
- 291827-2 (230 V., 60 Hz.)
- 291827-3 (115 V., 50 Hz.)
- 291827-4 (230 V., 50 Hz.)

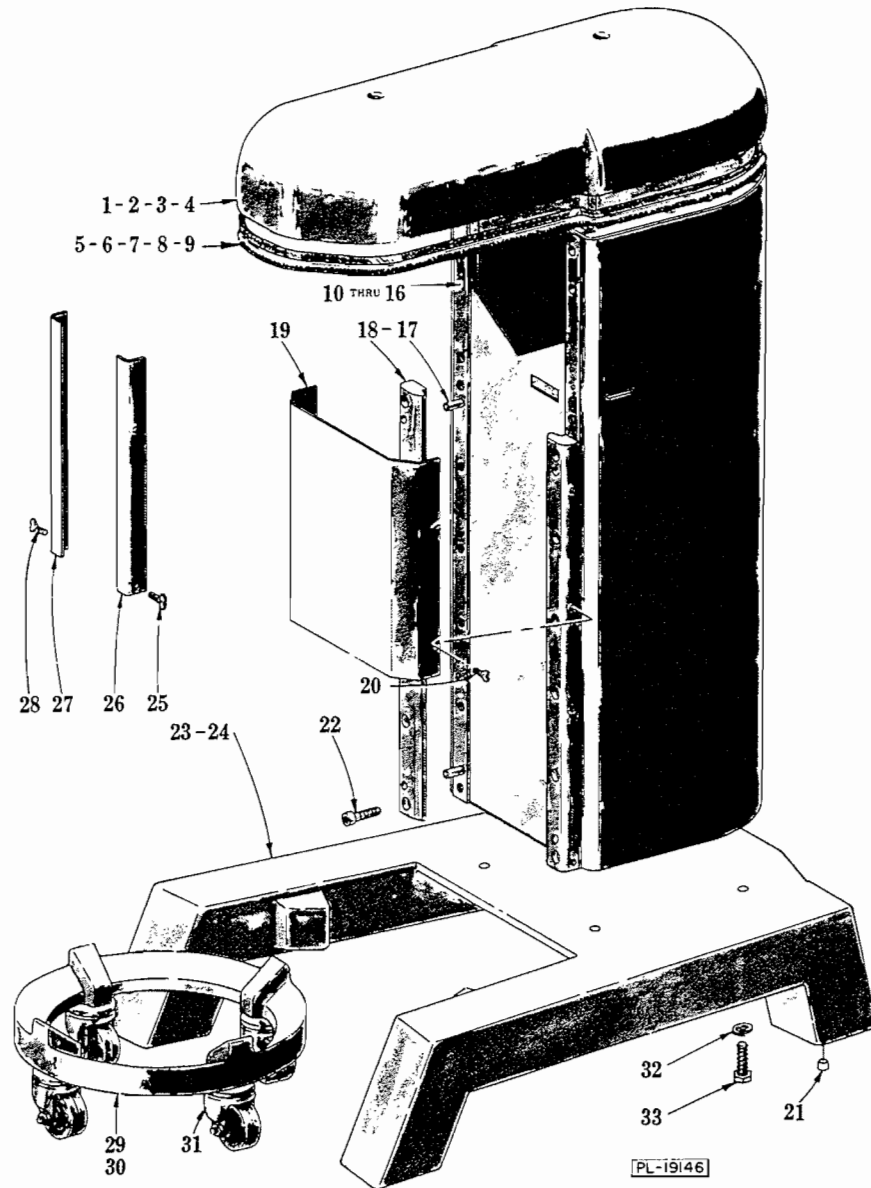


CONTROL PANEL AND WIRING HARNESS UNIT

## CONTROL PANEL AND WIRING HARNESS UNIT

ILLUS. PL-19145	PART NO.	NAME OF PART <sup>25</sup>	AMT.
1	SD-15-20	Self-Tapping Screw 10-32 x 3/8 Phil. Pan Hd., Type TT	2
2	121014	Board - Terminal	1
3	121823	Panel - Control	1
4	SD-15-20	Self-Tapping Screw 10-32 x 3/8 Phil. Pan Hd., Type TT (Use with item 6)	2
5	SD-15-20	Self-Tapping Screw 10-32 x 3/8 Phil. Pan Hd., Type TT (Use with item 7)	4
6	88196-6-1	Relay - Thermal Overload (1 Ph.)	1
7	88196-5-1	Relay - Thermal Overload (3 PH.)	1
8	*	Heater Element	AR
9	121819	Harness - Wiring (ML-19286, ML-19312, ML-19308, ML-19314, ML-19315, ML-19316, ML-19317 & ML-19318)	1
10	122053	Harness - Wiring (Not Shown) (ML-19306, ML-19311, ML-19307 & ML-19313)	1
11	113703	Tie - Cable	2
12	78752-6	Clamp (1 Ph.)	3
13	78752-6	Clamp (3 Ph.)	2
14	78752-3	Clamp (3 Ph.)	1
15	SD-8-25	Self-Tapping Screw 10 x 3/8 Phil. Bind Hd., Type B	3
16	294657-1	Harness - Wiring (ML-33374, ML-33376, ML-33378, ML-33380, ML-33395, ML-33396, ML-33397 & ML-33398)	1
17	294658-1	Harness - Wiring (Not Shown) (ML-33373, ML-33377, ML-33375 & ML-33379)	1
18	121925-2	Contactor (115 V., 50/60 Hz.) (200/208/230 V., 60 Hz. W/Pilot Circuit: 220 V., 50 Hz. W/Pilot Circuit) (1 Ph.) (2 Pole)	1
19	121925-1	Contactor (200/208/230 V., 60 Hz.; 220 V., 50 Hz.) (1 Ph.) (2 Pole)	1
20	121926-2	Contactor (460 V., 60 Hz.; 380/415 V., 50 Hz.) (200/208/230 V., 60 Hz.; 220 V., 50 Hz. W/Pilot Circuit) (3 Ph.) (3 Pole)	1
21	121926-1	Contactor (200/208/230 V., 60 Hz.; 220 V., 50 Hz.) (3 Ph.) (3 Pole)	1
22	SD-15-20	Self-Tapping Screw 10-32 x 3/8 Phil. Pan Hd., Type TT	2
23	FE-21-1	Fuse (3.5 Amp.) (Power Bowl Lift)	2
24	120924	Terminal Board Assy. (Power Bowl Lift)	1
25	SD-12-20	Self-Tapping Screw 8-32 x 1/2 Phil. Truss Hd., Type T (Power Bowl Lift)	2
26	SD-15-20	Self-Tapping Screw 10-32 x 3/8 Phil. Pan Hd., Type TT	2
27	WL-7-12	Lock Washer 10 Ext. Shakeproof	2
28	120907-1	Transformer (60 Hz.)	1
29	120908-1	Transformer (50 HZ.)	1
30	SC-19-33	Mach. Screw 8-32 x 1/2 Bind Hd	2
31	WL-7-7	Lock Washer 8 Ext. Shakeproof	2
32	NS-9-12	Mach. Nut 8-32 Hex	2
33	114707	Terminals & Mounting Board Assy. (460 V., 60 Hz.; 380/415 V., 50 Hz., 3 Ph.) (200/208/230 V., 50/60 Hz., 1 & 3 Ph.; 220 V., 50 Hz., 1 & 3 Ph. W/Pilot Circuit)	1
34	SC-36-14	Cap Screw 1/4-20 x 1/2 Hex Hd	1
35	WL-3-38	Lock Washer 1/4 Medium	1
36	FE-16-30	Fuse (2 Amp.) (Use with items 28 & 29)	2

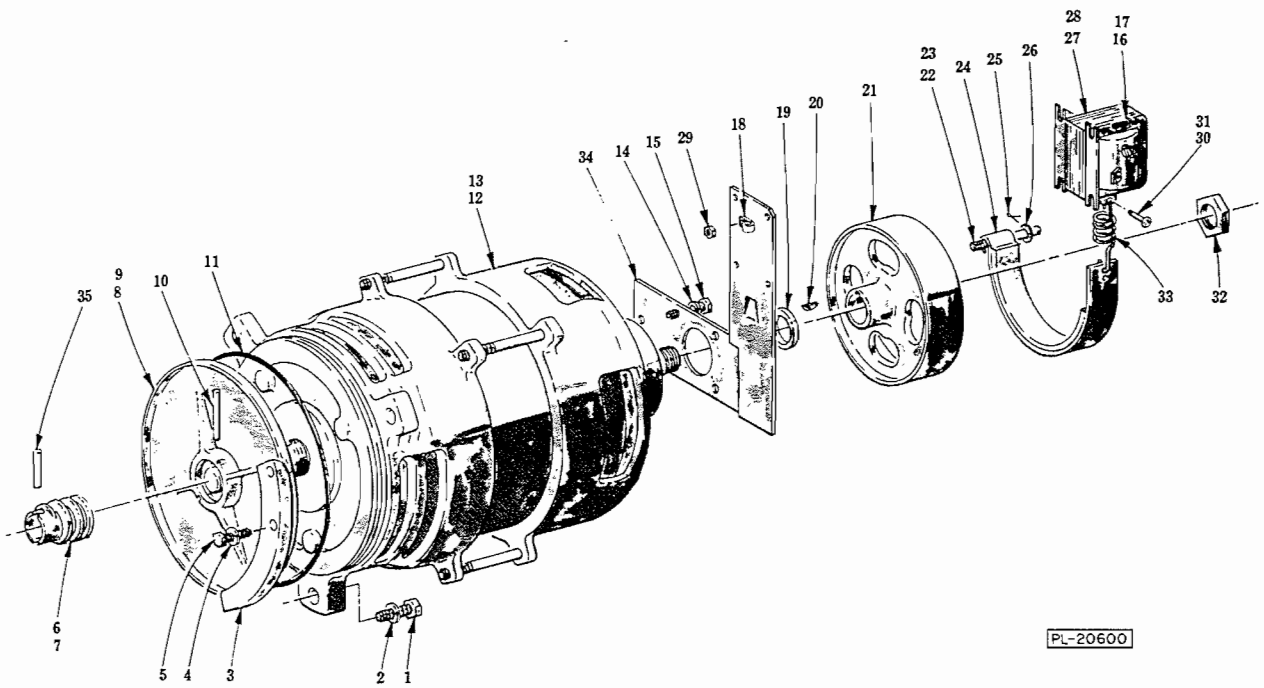
\*Give Elec. Spec., Mach. Model & Motor Type.



BASE AND PEDESTAL UNIT

## BASE AND PEDESTAL UNIT

ILLUS. PL-19146	PART NO.	NAME OF PART <sup>25</sup>	AMT.
1	124475-1	Top Cover Assy. (Incls. items 7 & 8) (H600) (Painted)	1
2	124475-2	Top Cover Assy. (Incls. items 7 & 9) (L800) (Painted)	1
3	24801-4	Top Cover Assy. (Incls. items 5) (H600) (Deluxe)	1
4	24801-3	Top Cover Assy. (Incls. items 6) (L800) (Deluxe)	1
5	24781-2	Seat - Top Cover (H600) (Deluxe)	1
6	24781-1	Seat - Top Cover (L800) (Deluxe)	1
7	123687-2	Gasket (39 $\frac{3}{4}$ " ) (Painted)	1
8	123687-3	Gasket (42" ) (H600) (Painted)	1
9	123687-4	Gasket (44 $\frac{3}{4}$ " ) (L800) (Painted)	1
10	121821-1	Pedestal Assy. (Incls. item 17) (Painted)	1
11	121821-3	Pedestal Assy. (Incls. item 17) Power Bowl Lift (Painted)	1
12	121821-2	Pedestal Assy. (Incls. item 17) (Deluxe)	1
13	121821-4	Pedestal Assy. (Incls. item 17) Power Bowl Lift (Deluxe)	1
14	118544-4	Lug - Solderless	1
15	SD-8-25	Self-Tapping Screw 10 x $\frac{3}{8}$ Phil. Bind Hd., Type B	1
16	WL-10-6	Lock Washer 10 Ext. Shakeproof	1
17	11800-143	Dowel	2
18	24189-3	Slideway - Pedestal	2
19	24260	Apron - Pedestal	1
20	70641-9	Thumb Screw (Painted)	4
21	116395	Plug - Base	AR
22	SD-15-12	Self-Tapping Screw $\frac{3}{8}$ -16 x 1 $\frac{1}{2}$ Soc. Fil. Hd. "Taptite"	12
23	110222-2	Base Assy. (Painted)	1
24	110231	Base Assy. (Deluxe)	1
25	70641-9	Thumb Screw (Deluxe)	2
26	68236	Cover - Right Slideway (Deluxe)	1
27	68237	Cover - Left Slideway (Deluxe)	1
28	70641-9	Thumb Screw (Deluxe)	2
29	21922-1	Bowl Truck Assy. (Incls. item 31) (Painted)	1
30	21922-3	Bowl Truck Assy. (Incls. item 31) (Deluxe)	1
31	87669-1	Caster	4
32	WL-4-11	Lock Washer $\frac{1}{2}$ Medium	4
33	SC-62-83	Cap Screw $\frac{1}{2}$ -13 x 1 $\frac{1}{2}$ Hex Hd	4
	65209-3	Adapter - Bowl Truck	1



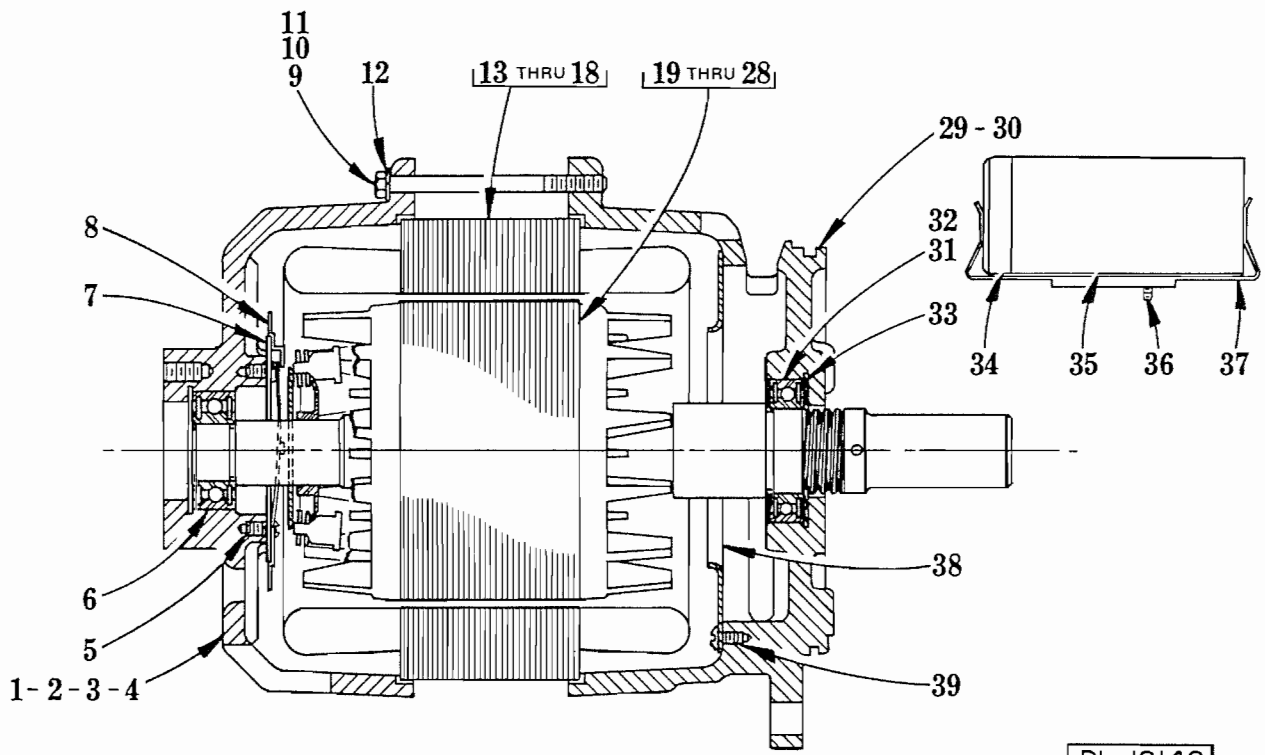
MOTOR AND BRAKE UNIT



## MOTOR AND BRAKE UNIT

ILLUS. PL-20600	PART NO.	NAME OF PART <sup>25</sup>	AMT.
1	SC-36-98	Cap Screw 1/2-13 x 1/4 Hex Hd	3
2	WL-4-12	Lock Washer 1/2 Light	3
3	24610	Guide - Oil Flinger	1
4	WL-3-43	Lock Washer 5/16 Light	2
5	SC-36-28	Cap Screw 5/16-18 x 1/4 Hex Hd	2
6	24298	Worm - Drive (5T) (H600, 60 Hz.; L800, 50 Hz.)	1
7	24291	Worm - Drive (5T) (H600, 50 Hz.)	1
8	291457-1	Flinger and Hub Assy. (60 Hz.) (L800)	1
9	291457-2	Flinger and Hub Assy. (H600, 50/60 Hz.; L800, 50 Hz.)	1
10	RP-2-28	Rollpin 3/16 Dia. x 3/4 Lg	1
11	67500-24	"O" Ring - Bearing Bracket	1
12	ML-19330	Motor (Give Elec. Spec.) (L800, 60 Hz.)	1
13	ML-19168	Motor (Give Elec. Spec.) (H600, 50/60 Hz.; L800, 50 Hz.)	1
*14	WL-4-43	Lock Washer 5/16 Light	4
*15	SC-37-75	Cap Screw 5/16-18 x 3/4 Hex Hd	4
*16	SC-9-61	Mach. Screw 8-32 x 1/2 Rd. Hd	4
*17	WS-19-10	Washer	4
*18	24167-1	Clamp - Lead Support	1
*19	120955	Spacer - Brake Drum	1
*20	!W-3-5	!Key #405 Woodruff	1
*21	24776	Drum - Motor Brake	1
*22	24774	Stud - Brake Band	1
*23	NS-32-7	Stop Nut 1/4-20 "Flexloc"	1
*24	24776	Brake Band Assy	1
*25	PC-3-32	Cotter Pin 3/32 x 1/2	1
*26	WS-3-20	Washer	1
*27	23926-1	Solenoid - Brake (200/230 V., 60 Hz., 1 & 3 Ph.; 220 V., 50 Hz., 1 & 3 Ph.)	1
*28	23926-7	Solenoid - Brake (460 V., 60 Hz., 3 Ph.; 380/415 V., 50 Hz., 3 Ph.) (200/230 V., 60 Hz., 1 & 3 Ph.; 220 V., 50 Hz., 1 & 3 Ph.; W/Pilot Circuit)	1
*29	NS-37-6	Lock Nut 8-32 "Nylok"	4
*30	63201	Pin - Solenoid Clevis	1
*31	PC-3-23	Cotter Pin 1/16 x 1/2	1
*32	6566	Nut - Lock	2
*33	24775	Spring - Motor Brake	1
*34	24771	Brake Mounting Bracket Assy	1
35	RP-2-6	Rollpin 1/4 Dia. x 1 Lg. (H600, 50/60 Hz.; L800, 50 Hz.)	1
*24770-1		Motor Brake Assy. (460 V., 60 Hz., 3 Ph.; 380/415 V., 50 Hz., 3 Ph.) (200/230 V., 60 Hz., 1 & 3 Ph.; 220 V., 50 Hz., 1 & 3 Ph.; W/Pilot Circuit) (Incls. items 16, 17, 18, 22, 23, 24, 25, 26, 28, 29, 30, 31, 33 & 34)	1
*24770-2		Motor Brake Assy. (200/230 V., 60 Hz., 1 & 3 Ph.; 220 V., 50 Hz., 1 & 3 Ph.) (Incls. items 16, 17, 18, 22, 23, 24, 25, 26, 27, 29, 30, 31, 33 & 34)	1

\*Used on Mixers Equipped with Brake.



PL-19148

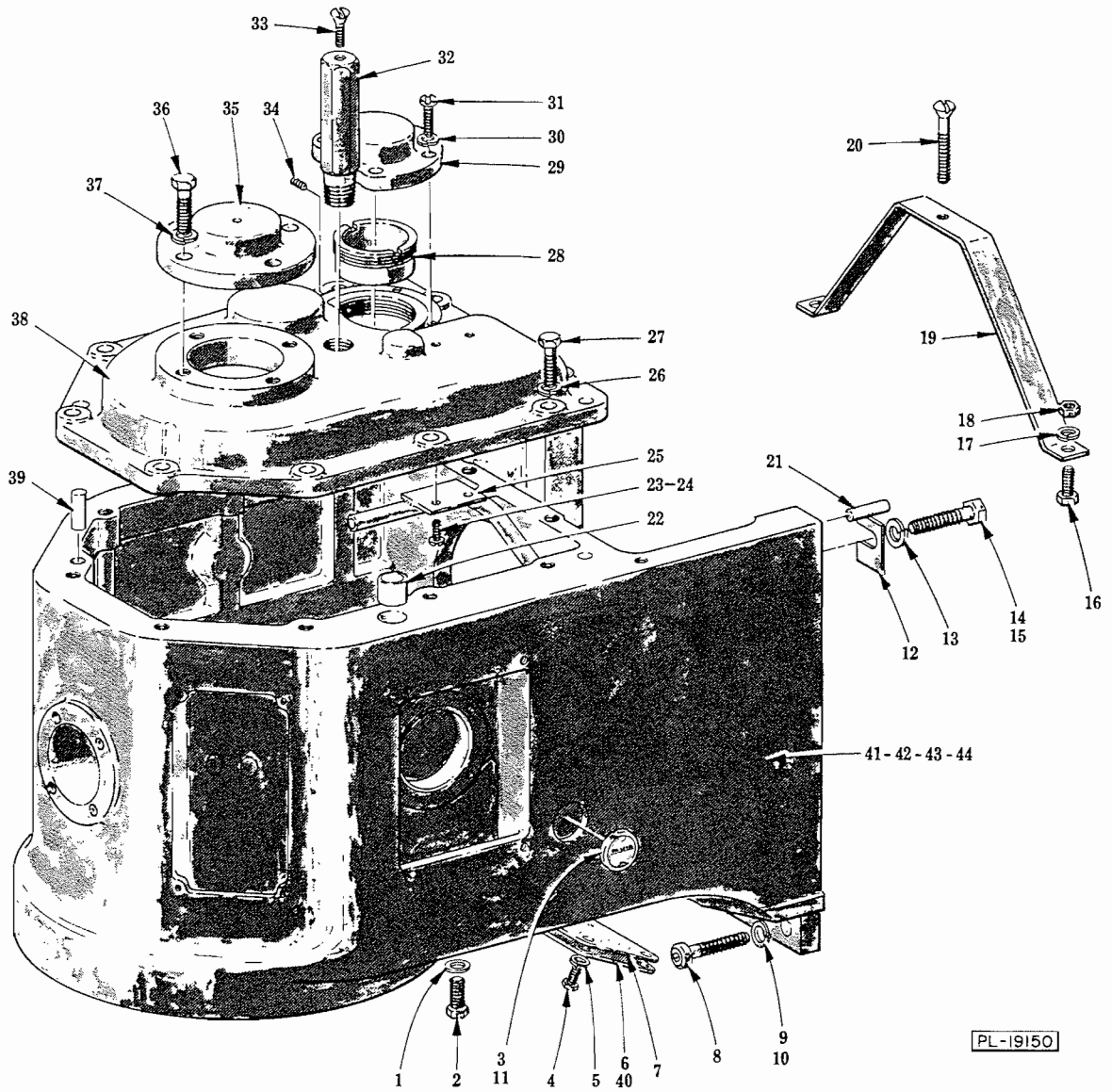
MOTOR PARTS

## MOTOR PARTS

ILLUS. PL-19148	PART NO.	NAME OF PART <sup>25</sup>	AMT.
*1	119537-2	Bracket - Bearing (Switch End) (1 Ph.)	1
*2	119537-1	Bracket - Bearing (Switch End) (3 Ph.)	1
**3	119537-5	Bracket - Bearing (Switch End) (1 Ph.)	1
**4	119537-4	Bracket - Bearing (Switch End) (3 Ph.)	1
5	SC-9-49	Mach. Screw 6-32 x 3/8 Rd. Hd. (1 Ph.)	2
6	BB-16-23	Ball Bearing - Fafnir #W205PP	1
7	121111	Insulator - Switch (1 Ph.)	1
8	121110	Switch - Starting (Stationary Part) (1 Ph.)	1
9	SC-111-34	Cap Screw 1/4-20 x 4 Hex Hd. (60 Hz.) (1 Ph.)	4
10	SC-111-33	Cap Screw 1/4-20 x 3 1/2 Hex Hd. (3 Ph.)	4
11	SC-111-2	Cap Screw 1/4-20 x 4 1/2 Hex Hd. (50 Hz.) (H600) (1 Ph.)	4
12	WL-3-38	Lock Washer 1/4 Medium	4
13	65477-136-2	Stator Assy. (115/230 V., 60 Hz., 1 Ph.)	1
14	65477-136-4	Stator Assy. (200/208 V., 60 Hz., 1 Ph.)	1
15	65478-130-3	Stator Assy. (200/208 V., 60 Hz., 3 Ph.)	1
16	65478-130-4	Stator Assy. (230/460 V., 60 Hz., 3 Ph.)	1
17	65477-136-6	Stator Assy. (115/220 V., 50 Hz., 1 Ph.)	1
18	65478-131-2	Stator Assy. (220/380/415 V., 50 Hz., 3 Ph.)	1
*19	22275-225	Rotor Assy. (1 Ph., 60 Hz.) (H600 Series)	1
**20	22275-269	Rotor Assy. (1 Ph., 60 Hz.) (H600 Series)	1
*21	22275-224	Rotor Assy. (1 Ph., 50 Hz.) (H600 Series)	1
**22	22275-268	Rotor Assy. (1 Ph., 50 Hz.) (H600 Series)	1
*23	15747-294	Rotor Assy. (3 Ph.) (H600 Series)	1
**24	15747-307	Rotor Assy. (3 Ph.) (H600 Series)	1
*25	22275-239	Rotor Assy. (1 Ph., 60 Hz.) (L800 Series)	1
**26	22275-270	Rotor Assy. (1 Ph., 60 Hz.) (L800 Series)	1
*27	15747-296	Rotor Assy. (3 Ph.) (L800 Series)	1
**28	15747-308	Rotor Assy. (3 Ph.) (L800 Series)	1
29	119538-1	Bracket - Bearing (Gear End) (H600 Series)	1
30	119538-2	Bracket - Bearing (Gear End) (L800 Series)	1
31	BB-17-26	Ball Bearing - N.D. #Z99506 (H600 Series)	1
32	BB-15-36	Ball Bearing - N.D. #Z993L07 (L800 Series)	1
33	SL-3-10	Loading Spring - N.D. #62	1
34	70486-3	End Cap - Capacitor (1 Ph.)	1
35	70487-9	Capacitor (1 Ph.)	1
36	SC-14-57	Mach. Screw 10-24 x 1/2 Flat Hd	2
37	66621-2	Bracket - Capacitor (1 Ph.)	1
38	120864	Baffle - Air	1
39	SC-9-70	Mach. Screw 6-32 x 1/4 Rd. Hd	3

\*Use with Motor W/Brake.

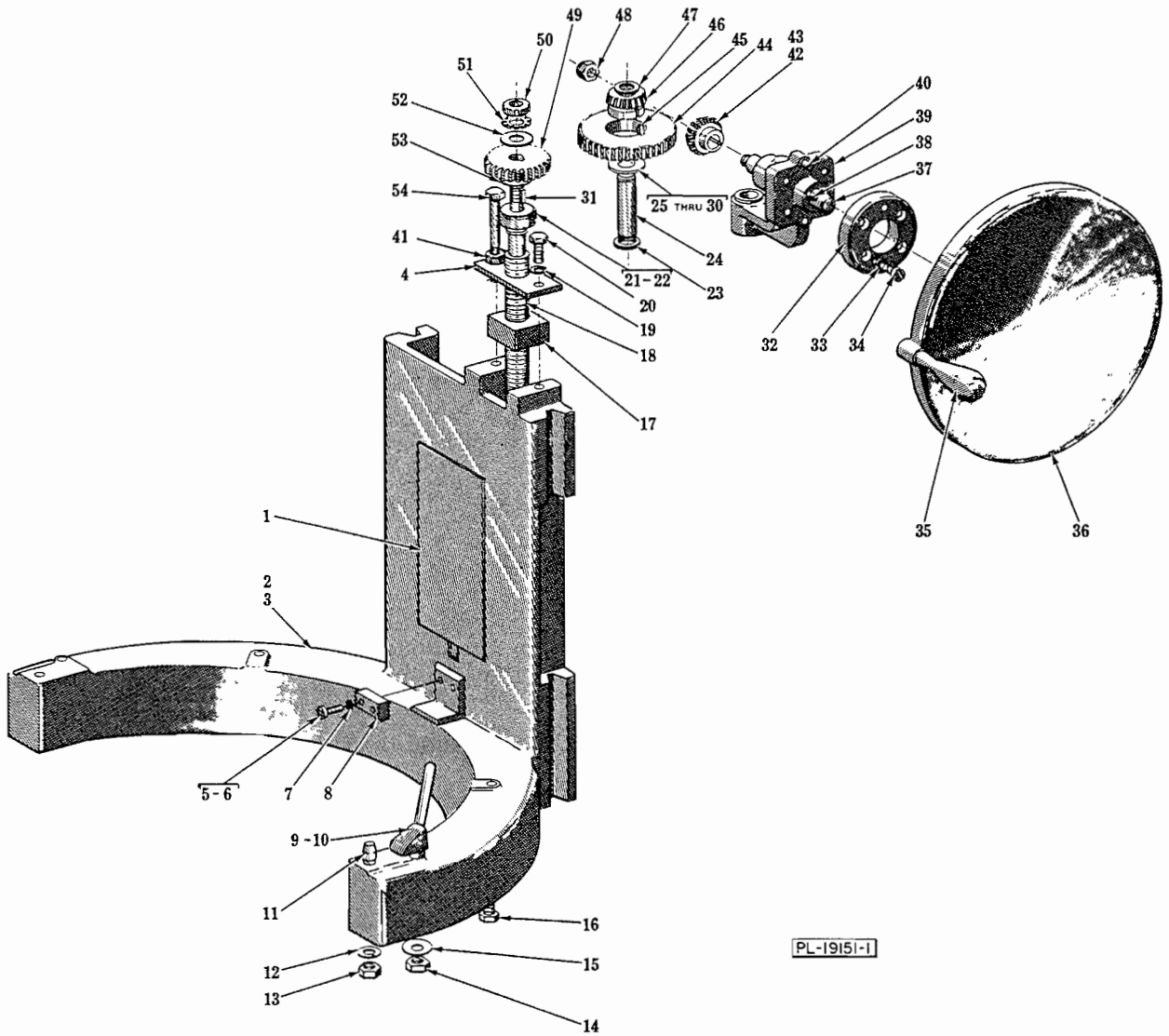
\*\*Use with Motor W/O Brake.



TRANSMISSION CASE UNIT

## TRANSMISSION CASE UNIT

ILLUS. PL-19150	PART NO.	NAME OF PART <sup>25</sup>	AMT.
1	WS-21-21	Washer	1
2	SC-62-60	Cap Screw 1/2-20 x 1 Hex Hd	1
3	22793	Gauge - Oil Level	1
4	SC-68-14	Mach. Screw 8-32 x 3/8 Trimm'd Hex Hd	4
5	WL-3-15	Lock Washer 8 Light	4
6	24264-1	Plate - Transmission Case Cover (Painted)	1
7	24665	Gasket - Transmission Case Cover Plate	1
8	SC-40-36	Cap Screw 1/2-13 x 1 3/4 Soc. Fil. Hd	2
9	WL-4-13	Lock Washer 1/2 Medium	1
10	WL-4-14	Lock Washer 1/2 High Collar	1
11	290488	Gasket - Oil Gauge	1
12	68288	Shim (.0179" THK.)	AR
13	WL-4-13	Lock Washer 1/2 Medium	4
14	SC-62-66	Cap Screw 1/2-13 x 1 3/4 Hex Hd	2
15	SC-62-67	Cap Screw 1/2-13 x 2 1/4 Hex Hd	2
16	SC-36-4	Cap Screw 1/4-20 x 3/4 Hex Hd	2
17	WL-3-37	Lock Washer 1/4 Medium	2
18	NS-13-1	Full Nut 1/4-20 Hex Fin	2
19	62108-1	Strap - Top Anchoring	1
20	SC-16-19	Mach. Screw 1/4-20 x 2 oval hd	1
21	11800-221	Dowel	2
22	24670	Insulator - Fiber	1
23	SC-7-82	Mach. Screw 10-24 x 3/4 Rd. Hd	2
24	NS-32-1	Stop Nut 10-24 "Flexloc"	2
25	24253	Oil Delivery Tube & Plate Assy	1
26	WL-4-2	Lock Washer 3/8 Light	10
27	SC-62-48	Cap Screw 3/8-16 x 1 1/8 Hex Hd	10
28	24254	Sleeve - Worm Gear Adjusting	1
29	24256	Retainer - Upper Worm Shaft Bearing	1
30	WL-3-37	Lock Washer 1/4 Medium	4
31	SC-38-5	Cap Screw 1/4-20 x 1 Fil. Hd	4
32	292642	Support - Top Cover Front	1
33	SC-15-70	Mach. Screw 1/4-20 x 1 Oval Hd	1
34	SC-47-70	Set Screw 10-32 x 3/8 Soc. Hdls., Cup Pt	2
35	24255	Retainer - Planetary Bearing	1
36	SC-36-28	Cap Screw 5/16-18 x 1 1/4 Hex Hd	4
37	WL-3-44	Lock Washer 5/16 Medium	4
38	24203	Cover - Transmission Case	1
39	11800-224	Dowel	2
40	24264-2	Plate - Transmission Case Cover (Deluxe)	1
41	120561-2	Case - Transmission (H600 Series) (Painted)	1
42	120562-2	Case - Transmission (H600 Series) (Deluxe)	1
43	120559-2	Case - Transmission (L800 Series) (Painted)	1
44	120560-2	Case - Transmission (L800 Series) (Deluxe)	1

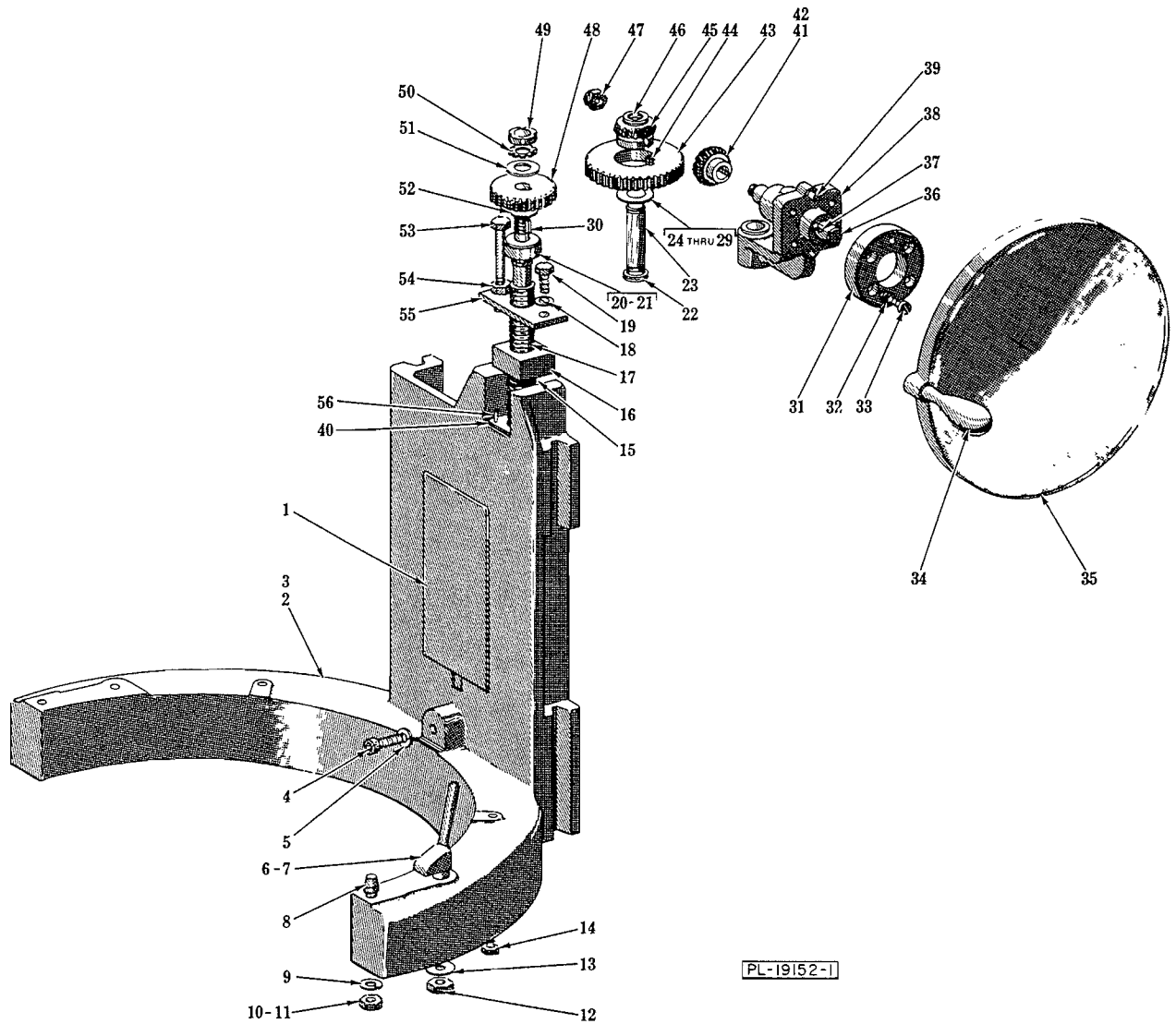


**BOWL SUPPORT AND LIFT UNIT  
(H600 SERIES)**

## BOWL SUPPORT AND LIFT UNIT (H600 SERIES)

ILLUS. PL-19151-1	PART NO.	NAME OF PART <sup>25</sup>	AMT.
*1	104493	Cover - Access Opening	1
*2	124685-2	Support - Bowl	1
**3	124686	Support - Bowl	1
4	24201	Retainer - Bowl Lift Nut	1
*5	SC-40-10	Cap Screw 1/4-20 x 3/4 Soc. Fil. Hd	2
**6	SC-40-68	Cap Screw 1/4-20 x 3/4 Soc. Fil. Hd	2
**7	WL-3-35	Lock Washer 1/4 High Collar	2
8	24296	Retainer - Bowl	1
9	65922-10	Bowl Clamp Assy. (R.H.)	1
10	65922-11	Bowl Clamp Assy. (L.H.) (Not Shown)	1
11	120349	Stud - Bowl Locating	2
12	WL-4-12	Lock Washer 1/2 Light	2
13	NS-17-27	Jam Nut 1/2-13 Hex Fin	2
14	NS-46-18	Lock Nut 5/8-11 Hex	2
15	64636	Spring Washer - Bowl Clamp	2
16	SC-37-74	Cap Screw 3/8-16 x 1 1/2 Hex Hd	1
17	24198	Nut - Bowl Lift Screw	1
18	290052-1	Screw - Bowl Lift	1
19	WL-4-2	Lock Washer 3/8 Light	1
20	SC-36-53	Cap Screw 3/8-16 x 7/8 Hex Hd	1
21	BB-5-30	Ball Bearing N.D. #Z99503	1
22	WS-10-17	Washer	1
23	RR-5-2	Retaining Ring (Spirolox)	1
24	24194	Shaft - Miter Gear	1
25	24614-1	Washer - Miter Gear Spacer (.096" Thk.)	AR
26	24614-2	Washer - Miter Gear Spacer (.091" Thk.)	AR
27	24614-3	Washer - Miter Gear Spacer (.086" Thk.)	AR
28	24614-4	Washer - Miter Gear Spacer (.081" Thk.)	AR
29	24614-5	Washer - Miter Gear Spacer (.076" Thk.)	AR
30	24614-6	Washer - Miter Gear Spacer (.071" Thk.)	AR
31	12430-43	Key	1
32	24609-2	Ring - Hand Wheel Brkt. Clamping	1
33	WL-3-48	Lock Washer 5/16 High Collar	4
34	SC-11-95	Mach. Screw 5/16-18 x 1 Fil. Hd	4
35	24765	Handle - Bowl Lift Hand Wheel	1
36	78181	Hand Wheel & Handle Assy. (Incls. item 35)	1
37	24191	Shaft - Hand Wheel	1
38	PG-7-19	Groov-Pin Type E, 1/4 x 2 3/4	1
39	89684	Hand Wheel Bracket & Bearing Assy	1
40	RP-2-6	Rollpin 1/4 Dia. x 1 Lg	2
41	NS-17-14	Jam Nut 3/8-16 Hex Fin	1
42	24196	Pinion - Bowl Lift Miter (23T)	1
43	12430-41	Key	1
44	24192	Gear - Bowl Lift Screw (41T)	1
45	KW-3-3	Key #404 Woodruff	1
46	24195	Gear - Bowl Lift Miter (23T)	1
47	RR-5-2	Retaining Ring (Spirolox)	1
48	NS-32-29	Stop Nut 1/2-20 "Flexloc"	1
49	24193	Gear - Bowl Lift Screw (31T)	1
50	NS-34-4	Lock Nut N.D. #N-03	1
51	WL-12-4	Lock Washer N.D. #W-03	1
52	WS-10-17	Washer	1
53	WS-10-17	Washer	2
54	122925-1	Screw - Stop	1

\* H600 & H600-T.  
\*\* H600-D & H600-DT.



**BOWL SUPPORT AND LIFT UNIT  
(L800 BOWL SERIES)**



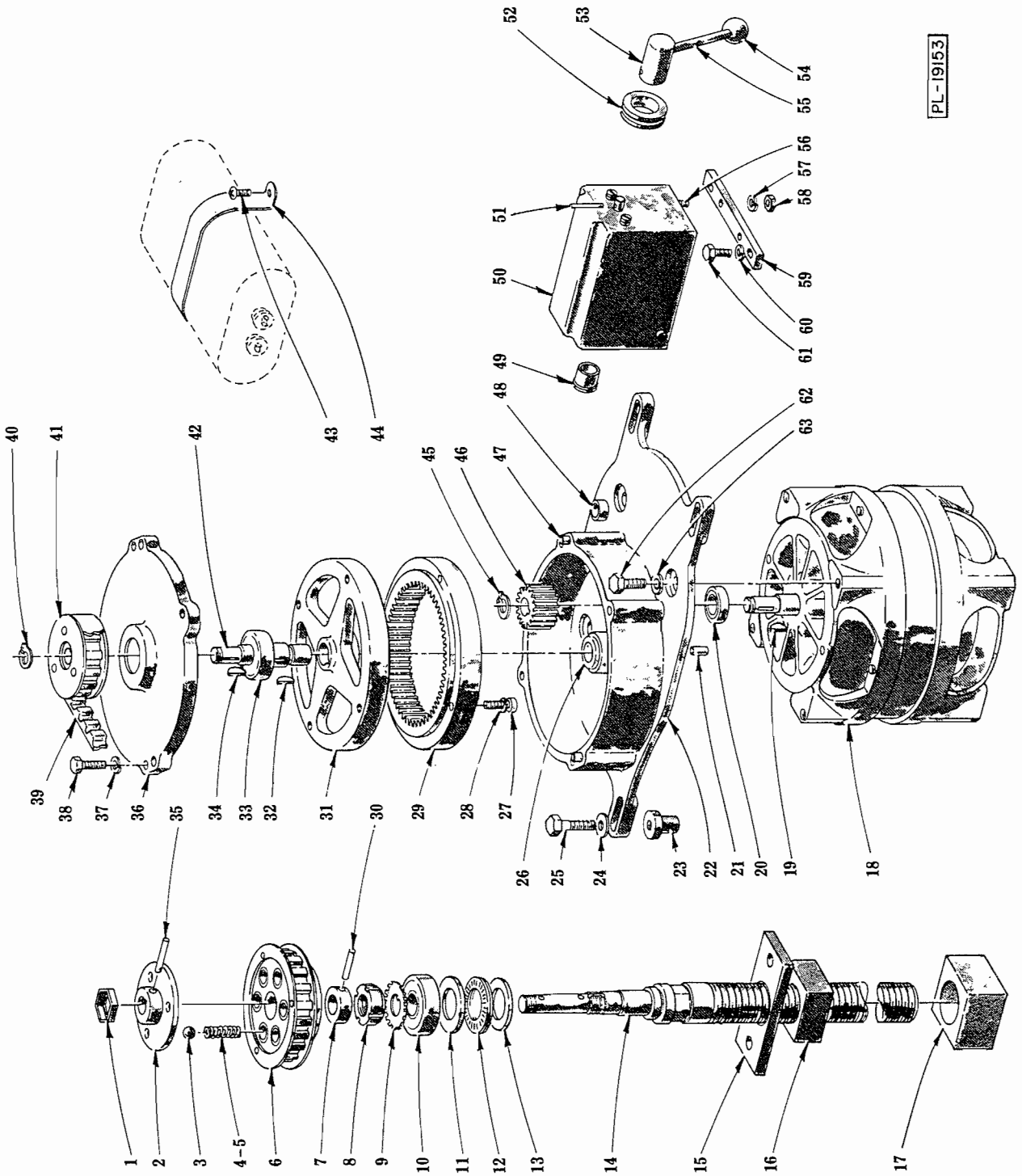
## BOWL SUPPORT AND LIFT UNIT (L800 SERIES)

ILLUS. PL-19152-1	PART NO.	NAME OF PART <sup>25</sup>	AMT.
1	104493	Cover - Access Opening	1
*2	122889-4	Support - Bowl	1
**3	122889-3	Support - Bowl	1
4	24507-2	Special Screw 1/2-13 x 1 1/4 Soc. Hd	1
5	WL-4-14	Lock Washer 1/2 Hight Collar	1
6	65922-14	Bowl Clamp Assy. (R.H.)	1
7	65922-15	Bowl Clamp Assy. (L.H.) (Not Shown)	1
8	120350	Stud - Bowl Locating	2
9	WL-4-12	Lock Washer 1/2 Light	2
*10	NS-17-27	Jam Nut 1/2-13 Hex Fin	2
**11	NS-17-25	Jam Nut 1/2-13 Hex Fin	2
12	NS-46-18	Lock Nut 5/8-11 Hex	2
13	64636	Spring - Washer Bowl Clamp	2
14	SC-37-74	Cap Screw 3/8-16 x 1 1/2 Hex Hd	1
15	24618	Spring - Bowl Support Stop	1
16	24198	Nut - Bowl Lift Screw	1
17	290052-1	Screw - Bowl Lift	1
18	WL-4-2	Lock Washer 3/8 Light	1
19	SC-36-53	Cap Screw 3/8-16 x 7/8 Hex Hd	1
20	BB-5-30	Ball Bearing N.D. #Z99503	1
21	WS-10-17	Washer - Spacer	1
22	RR-5-2	Retaining Ring (Spirolox)	1
23	24914	Shaft - Miter Gear	1
24	24614-1	Washer - Miter Gear Spacer (.096" Thk.)	AR
25	24614-2	Washer - Miter Gear Spacer (.091" Thk.)	AR
26	24614-3	Washer - Miter Gear Spacer (.086" Thk.)	AR
27	24614-4	Washer - Miter Gear Spacer (.081" Thk.)	AR
28	24614-5	Washer - Miter Gear Spacer (.076" Thk.)	AR
29	24614-6	Washer - Miter Gear Spacer (.071" Thk.)	AR
30	12430-43	Key	1
31	24609-2	Ring - Hand Wheel Bracket Clamping	1
32	WL-3-48	Lock Washer 5/16 High Collar	4
33	SC-11-95	Mach. Screw 5/16-18 x 1 Fil. Hd	4
34	24765	Handle - Bowl Lift Hand Wheel	1
35	78181	Hand Wheel & Handle Assy. (Incls. item 34)	1
36	24191	Shaft - Hand Wheel	1
37	PG-7-19	Groov-Pin - Type E, 1/4 x 2 3/4	1
38	89684	Hand Wheel Bracket & Bearing Assy	1
39	RP-2-6	Rollpin 1/4 Dia. x 1 Lg	2
40	24617	Seat - Bowl Support Stop Spring	1
41	24196	Pinion - Bowl Lift Miter (23T)	1
42	12430-41	Key	1
43	24192	Gear - Bowl Lift (41T)	1
44	KW-3-3	Key #404 Woodruff	1
45	24195	Gear - Bowl Lift Miter (23T)	1
46	RR-5-2	Retaining Ring (Spirolox)	1
47	NS-32-29	Stop Nut 1/2-20 "Flexloc"	1
48	24193	Gear - Bowl Lift Screw (31T)	1
49	NS-34-4	Lock Nut N.D. #N-03	1
50	WL-12-4	Lock Washer N.D. #W-03	1
51	WS-10-17	Washer	1
52	WS-10-17	Washer	2
53	122925-2	Screw - Stop	1
54	NS-17-14	Jam Nut 3/8-16 Hex Fin	1
55	24201	Retainer - Bowl Lift Nut	1
56	RP-2-11	Rollpin 3/16 Dia. x 1/2 Lg	2

\*L800.

\*\*L800-D.

PL-19/53

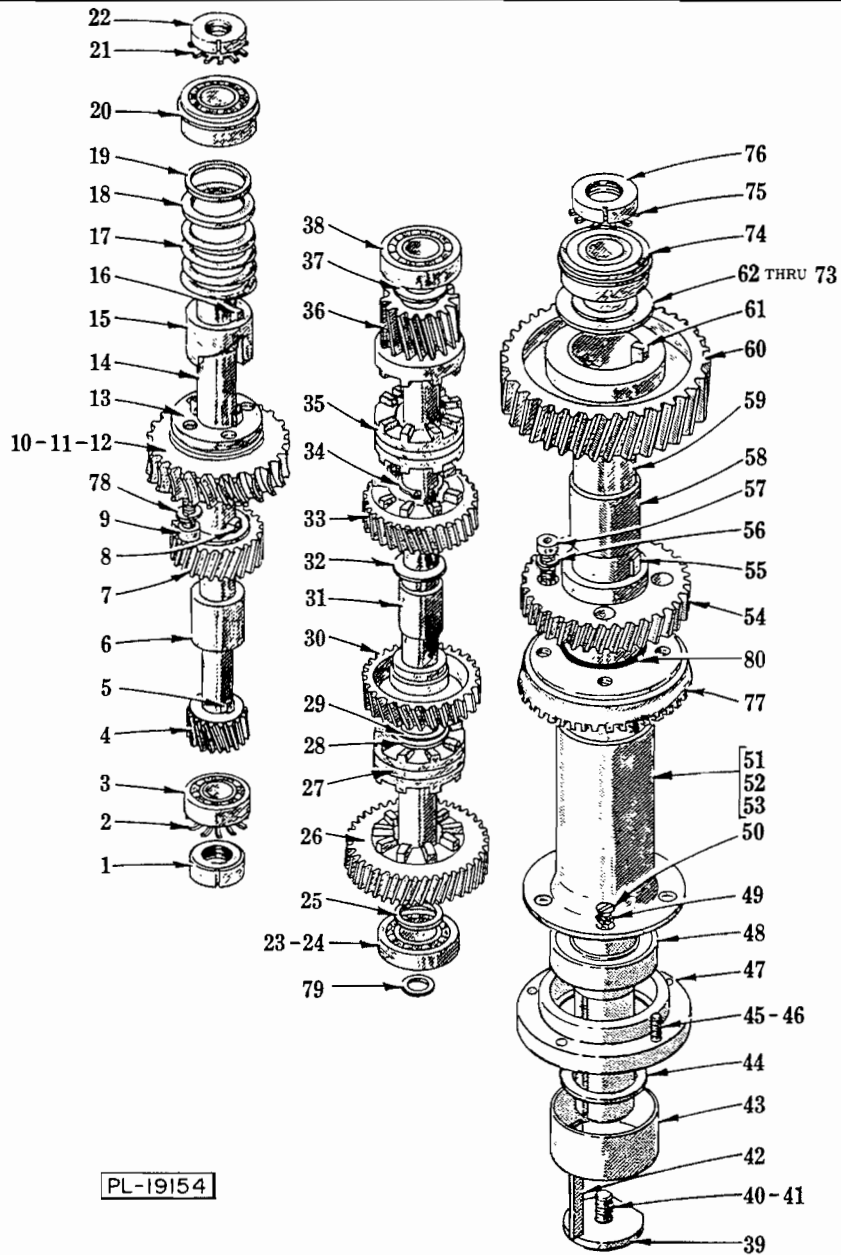


POWER BOWL LIFT UNIT

## POWER BOWL LIFT UNIT

ILLUS. PL-19153	PART NO.	NAME OF PART <sup>26</sup>	AMT.
1	NS-35-17	Special Nut $\frac{3}{16}$ -18 "Palnut"	1
2	120098	Detent Plate & Hub Assy	1
3	BA-2-18	Ball $\frac{3}{8}$ Dia	6
4	64616	Spring - Detent (12 lb.) (Holes nearest drive screws)	3
5	7009	Spring - Detent (6 lb.)	3
6	120097	Pulley Assy. (20T)	1
7	64405	Collar - Input Shaft	1
8	NS-34-4	Lock Nut N.D. #N-03	1
9	WL-12-4	Lock Washer N.D. #W-03	1
10	BB-5-30	Ball Bearing N.D. #Z99503	1
11	64558	Washer - Thrust	1
12	BN-2-18	Needle Bearing - Torrington #NTA-1423	1
13	64558	Washer - Thrust	1
14	120094	Screw - Lift	1
15	120096	Retainer - Lift Nut	1
16	120095	Nut - Bowl Lift Screw	1
17	120173	Spacer - Nut (L800 Series)	1
18	ML-31439	Motor (Give Elec. Spec.)	1
19	KW-3-1	Key #304 Woodruff	1
20	120053	Seal - Oil	1
21	11800-283	Dowel	2
22	120051	Gear Case Assy. (Incls. items 20, 21, 26, 47 & 48)	1
23	120100	Nut - Vibration Mount	4
24	WS-4-39	Washer	4
25	SC-36-7	Cap Screw $\frac{1}{4}$ -20 x $1\frac{1}{8}$ Hex Hd	4
26	64641	Bearing - Gear Box	1
27	SC-40-4	Cap Screw 10-32 x $\frac{3}{4}$ Soc. Hd	4
28	WL-3-22	Lock Washer 10 Light	4
29	120080	Gear - Internal (64T)	1
30	RP-2-25	Rollpin $\frac{1}{8}$ Dia. x $\frac{7}{8}$ Lg	1
31	120079	Hub - Gear	1
32	KW-3-3	Key #404 Woodruff	1
33	BB-5-19	Ball Bearing - Fafnir #H202PP	1
34	KW-3-1	Key #304 Woodruff	1
35	PS-4-9	Spirol Pin $\frac{3}{16}$ Dia. x 1 Lg	1
36	120084	Cover - Gear Case	1
37	WL-3-36	Lock Washer $\frac{1}{4}$ Light	4
38	SC-36-4	Cap Screw $\frac{1}{4}$ -20 x $\frac{3}{4}$ Hex Hd	4
39	116634	Belt - Timing	1
40	RR-8-6	Retaining Ring	1
41	120086	Drive Pulley Assy. (14T)	1
42	120083	Shaft - Transmission	1
43	SD-12-20	Self-Tapping Screw 8-32 x $\frac{1}{2}$ Phil. Truss Hd., Type T	2
44	120163	Bracket - Capacitor	1
45	RR-4-17	Retaining Ring	1
46	120081	Gear - Motor Pinion (16T)	1
47	11800-91	Dowel	2
48	24670	Insulator - Fiber	1
49	FE-21-14	Bushing - Snap	1
50	120106	Switch Assy. (Incls. items 49, 51, 53, 56, 57, 58 & 59)	1
51	RP-2-33	Rollpin .094" Dia. x 1 Lg	1
52	120105	Grommet	1
53	102108	Hub - Switch	1
54	77401	Knob - Switch Control	1
55	120107	Handle - Switch	1
56	SC-40-7	Cap Screw $\frac{1}{4}$ -20 x $\frac{5}{8}$ Soc. Hd	2
57	WL-3-36	Lock Washer $\frac{1}{4}$ Light	2
58	NS-13-1	Full Nut $\frac{1}{4}$ -20 Hex Fin	2
59	120109	Plate - Switch Mounting	1
60	WL-3-36	Lock Washer $\frac{1}{4}$ Light	2
61	SC-36-2	Cap Screw $\frac{1}{4}$ -20 x $\frac{1}{2}$ Hex Hd	2
62	SC-36-25	Cap Screw $\frac{3}{16}$ -18 x $\frac{3}{4}$ Hex Hd	4
63	WL-3-43	Lock Washer $\frac{5}{16}$ Light	4

H600/L800 REPLACEMENT PARTS

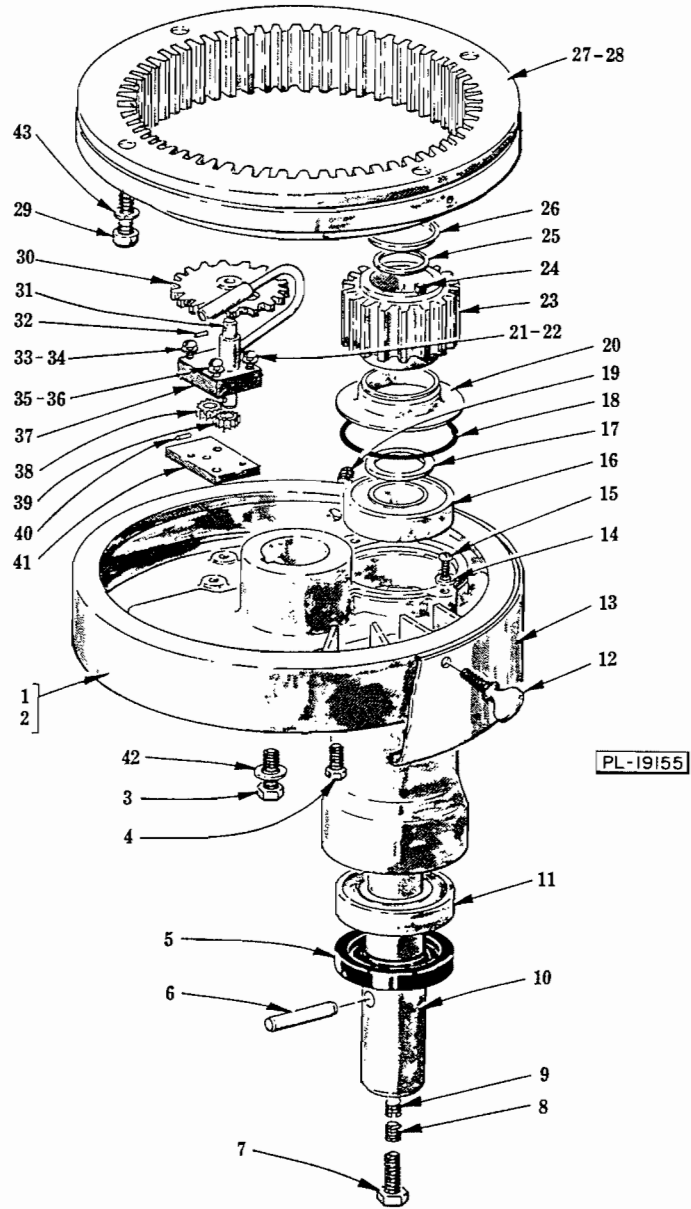


TRANSMISSION UNIT

ILLUS. PL-19154	PART NO.	NAME OF PART <sup>25</sup>	AMT.
1	NS-34-5	Lock Nut N.D. #N-04	1
2	WL-12-5	Lock Washer N.D. #W-04	1
3	BB-12-7	Ball Bearing - SKF #1204 Self-Aligning	1
4	121382	Gear - Lower Worm Shaft (17T)	1
5	12430-51	Key	1
6	24206	Spacer - Worm Gear Shaft	1
7	24207	Gear - Upper Worm Shaft (25T)	1
8	12430-51	Key	1
9	SC-40-8	Cap Screw 1/4-20 x 1 Soc. Fil. Hd	4
10	24288	Worm Gear (26T, 50 Hz.) (H600 Series)	1
11	24208	Worm Gear (29T, 60 Hz.) (L800 Series)	1
12	24735	Worm Gear (31T, H600, 60 Hz.; L800, 50 Hz.)	1
13	61497	Flange - Shock Adsorber Drive	1
14	24204	Shaft - Worm Gear	1

## TRANSMISSION UNIT (Cont.)

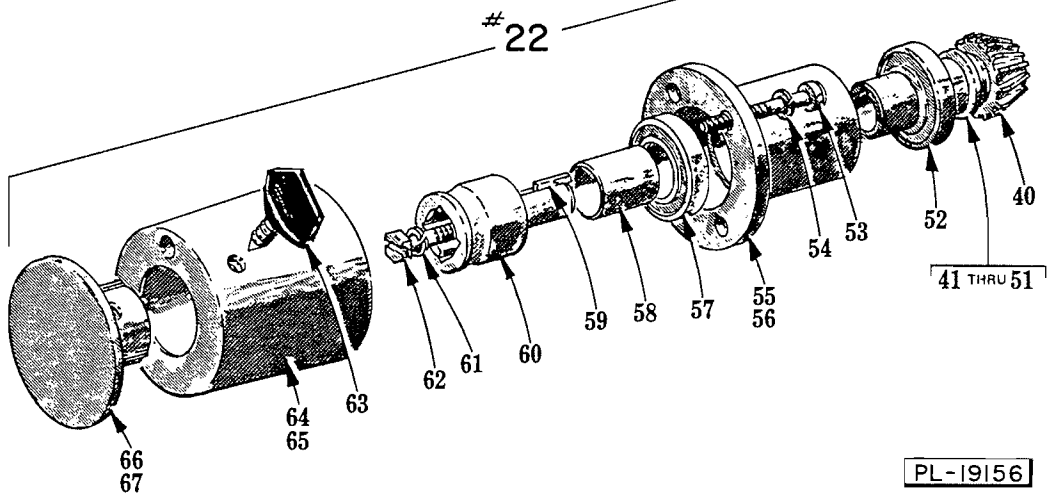
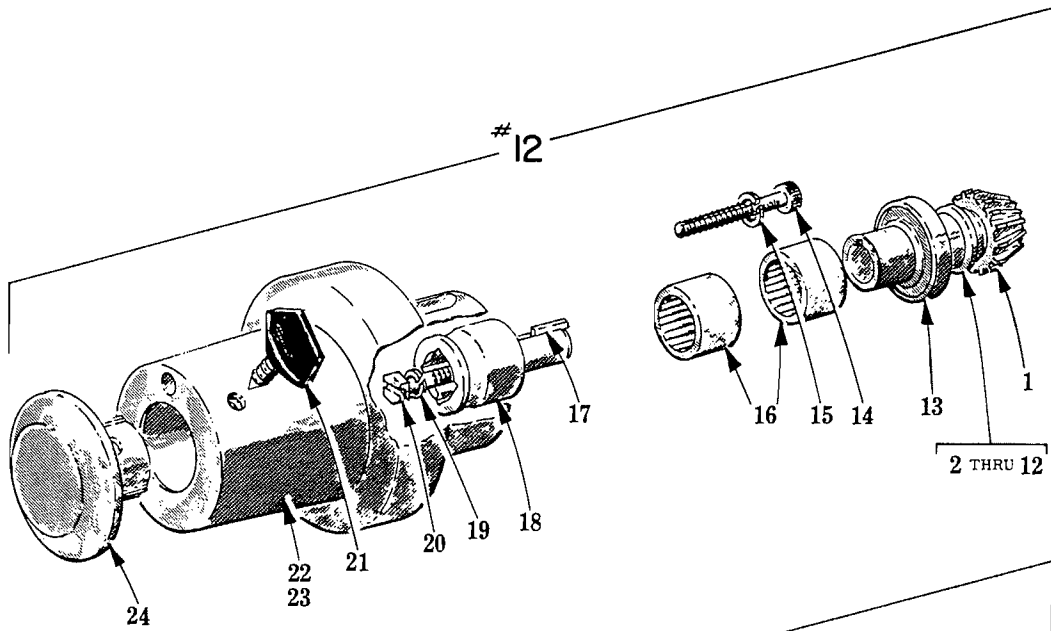
ILLUS. PL-19154	PART NO.	NAME OF PART <sup>25</sup>	AMT.
15	61498	Compressor - Shock Adsorber	1
16	24546	Key - Compressor to Shaft	1
17	9733	Spring - Worm Shaft	1
18	24238	Washer - Shock Absorber	1
19	RR-5-10	Retaining Ring (Spirolox)	1
20	BB-9-37	Ball Bearing N.D. #45504V	1
21	WL-12-5	Lock Washer N.D. #W-04	1
22	NS-34-5	Lock Nut N.D. #N-04	1
23	BB-18-33	Ball Bearing - Fafnir #205K (H600 Series)	1
24	BB-8-31	Ball Bearing - Fafnir #7205W (L800 Series)	1
25	24210	Spacer - Clutch Shaft	1
26	24539	Lower Clutch and Lower Gear Assy. (49T)	1
27	24213	Clutch - Shifting	1
28	RR-4-13	Retaining Ring (Truarc)	1
29	60767	Washer - Clutch Shaft	1
30	Z24538	Lower Clutch and Upper Gear Assy. (41T)	1
31	24209	Shaft - Clutch	1
32	24216	Washer - Clutch Shaft	1
33	24537	Upper Clutch and Lower Gear Assy. (33T)	1
34	RR-4-13	Retaining Ring (Truarc)	1
35	24213	Clutch - Shifting	1
36	24545	Upper Clutch and Upper Gear Assy. (17T)	1
37	24210	Spacer - Clutch Shaft	1
38	BB-18-33	Ball Bearing - Fafnir #205K	1
39	24266-1	Washer - Planetary	1
40	SC-62-58	Cap Screw $\frac{3}{8}$ -24 x $1\frac{1}{4}$ Hex Hd	1
41	WL-6-27	Lock Washer $\frac{3}{8}$ Light	1
42	12430-195	Key	1
43	60486	Shield - Planetary Oil	1
44	24543	Washer - Planetary Spacer	1
45	SC-40-14	Cap Screw $\frac{5}{16}$ -18 x $\frac{3}{4}$ Soc. Fil. Hd. (Deluxe)	5
46	WL-3-48	Lock Washer $\frac{5}{16}$ High Collar (Deluxe)	5
47	68226	Carrier - Lower Bearing (Deluxe)	1
48	BB-15-26	Ball Bearing - Fafnir #P9109PP	1
49	WL-9-8	Lock Washer $\frac{1}{4}$ Csk. Ext. Shakeproof	5
50	SC-13-79	Mach. Screw $\frac{1}{4}$ -20 x $\frac{1}{2}$ Flat Hd	5
51	121478-1	Chimney (Painted)	1
52	121478-2	Chimney (Deluxe)	1
53	67500-102	"O" Ring	1
54	24223	Gear - Planetary Shaft Lower (35T)	1
55	12430-211	Key	1
56	WL-3-48	Lock Washer $\frac{5}{16}$ High Collar	4
57	SC-40-15	Cap Screw $\frac{5}{16}$ -18 x $1\frac{1}{2}$ Soc. Fil. Hd	4
58	24224	Spacer - Planetary Shaft	1
59	24222	Shaft - Planetary	1
60	24225	Gear - Upper Planetary Shaft (53T)	1
61	12430-210	Key	1
62	24226-1	Shim - Planetary Shaft (.141" Thk.)	AR
63	24226-2	Shim - Planetary Shaft (.144" Thk.)	AR
64	24226-3	Shim - Planetary Shaft (.147" Thk.)	AR
65	24226-4	Shim - Planetary Shaft (.150" Thk.)	AR
66	24226-5	Shim - Planetary Shaft (.153" Thk.)	AR
67	24226-6	Shim - Planetary Shaft (.156" Thk.)	AR
68	24226-7	Shim - Planetary Shaft (.159" Thk.)	AR
69	24226-8	Shim - Planetary Shaft (.162" Thk.)	AR
70	24226-9	Shim - Planetary Shaft (.165" Thk.)	AR
71	24226-10	Shim - Planetary Shaft (.168" Thk.)	AR
72	24226-11	Shim - Planetary Shaft (.171" Thk.)	AR
73	24226-12	Shim - Planetary Shaft (.174" Thk.)	AR
74	BB-9-48	Ball Bearing - MRC #5206KFFG	1
75	WL-12-7	Lock Washer N.D. #W-06	1
76	NS-34-7	Lock Washer N.D. #N-06	1
77	61727	Gear - Spiral Bevel (41T)	1
78	WL-3-37	Lock Washer $\frac{1}{4}$ Medium	4
79	RR-5-4	Retaining Ring (Spirolox)	1
80	67500-19	"O" Ring - Bevel Gear	1
	89673-1	Worm Gear Assy. (H600 Series, 60 Hz. or L800 Series, 50 Hz.) (Incls. items 1 thru 9 & 12 thru 19 & 78)	1
	89673-2	Worm Gear Assy. (50 Hz.) (H600 Series) (Incls. items 1 thru 10, 13 thru 19 & 78)	1
	89673-3	Worm Gear Assy. (60 Hz.) (L800 Series) (Incls. items 1 thru 9, 11, 13 thru 19 & 78)	1



PLANETARY UNIT

## PLANETARY UNIT

ILLUS. PL-19155	PART NO.	NAME OF PART <sup>26</sup>	AMT.
1	24265-1	Planetary (Painted) (Incls. item 19)	1
2	24265-2	Planetary (Deluxe) (Incls. item 19)	1
3	SC-62-20	Cap Screw 1/2-20 x 1 Hex Hd	1
4	SC-62-80	Cap Screw 3/8-16 x 5/8 Hex Hd	2
5	24651	Seal - Planetary	1
6	111156	Pin - Agitator Shaft	1
7	64723	Plug - Screw Agitator Shaft	1
8	SC-47-41	Set Screw 3/8-16 x 3/8 Soc. Hdls., Cup Pt	1
9	7744	Set Screw - Hdls., Cone Pt	1
10	64137	Agitator Shaft Assy. (Incls. items 6 thru 9)	1
11	BB-7-39	Ball Bearing - MRC #207-SZZ	1
12	70641-11	Thumb Screw 8-32	2
13	60458	Cup - Drip	1
14	WS-3-23	Washer	2
15	SC-8-65	Mach. Screw 1/4-20 x 3/8 Rd. Hd	2
16	BB-6-36	Ball Bearing - MRC #306-SZZ	1
17	60768	Shim - Internal Pinion	AR
18	67500-21	"O" Ring	1
19	FP-28-38	Plug 3/8 Hex Socket Pipe	1
20	73010	Oil Baffle - Planetary	1
21	SC-9-50	Mach. Screw 10-32 x 3/4 Rd. Hd	1
22	WL-3-22	Lock Washer 10 Light	1
23	24270	Pinion - Internal (18T)	1
24	12430-154	Key	1
25	RR-5-8	Retaining Ring (Spirolox)	1
26	60071	Cap - Oil Retaining	1
27	61580	Gear - Internal (59T) (H600 Series)	1
28	24267	Gear - Internal (59T) (L800 Series)	1
29	SC-40-23	Cap Screw 3/8-16 x 1 1/4 Soc. Fil. Hd	4
30	60467	Conveying Gear Assy. (18T)	1
31	*	Shaft - Oil Pump	1
32	RP-2-8	Rollpin 5/64 Dia. x 1 1/16 Lg	1
33	SC-9-39	Mach. Screw 8-32 x 3/4 Rd. Hd	1
34	WL-3-15	Lock Washer 8 Light	1
35	SC-9-51	Mach. Screw 10-32 x 7/8 Rd. Hd	2
36	WL-3-22	Lock Washer 10 Light	2
37	123679	Housing & Tube Assy	1
38	290277	Gear - Oil Pump (15T) (Slotted)	1
39	*	Gear - Oil Pump (15T)	1
40	538772	Dowel 3/32 Dia. x 1 1/32 Lg	1
41	60443	Plate - Oil Pump Bottom	1
42	WS-21-21	Washer	1
43	WL-4-1	Lock Washer 3/8 High Collar	4
	290230	Planetary Oil Pump Assy. (Incls. items 21, 22, 30, 31, 32, 33, 34, 37, 38, 39, 40 & 41)	1
	89669-1	Planetary Assy. (Painted) (Incls. items 1, 4, 5, 10, 11, 14 thru 18, 20, 23, 24, 25, 26 & 60486)	1
	89669-2	Planetary Assy. (Deluxe) (Incls. items 2, 4, 5, 10, 11, 14 thru 18, 20, 23, 24, 25, 26 & 60486)	1
	* 186273-1	Oil Pump Service Kit (Incls. items 31, 39 & 40)	1



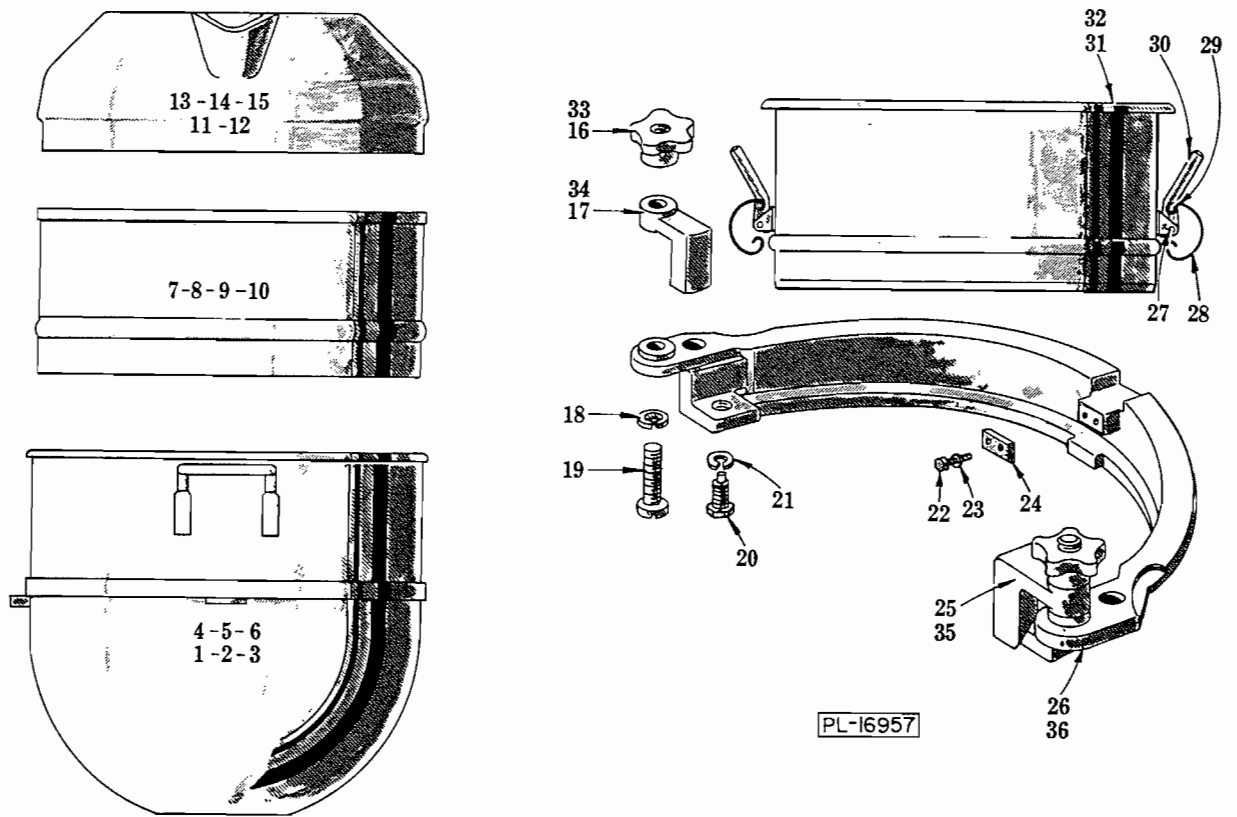
PL-19156

ATTACHMENT HUB UNIT



## ATTACHMENT HUB UNIT

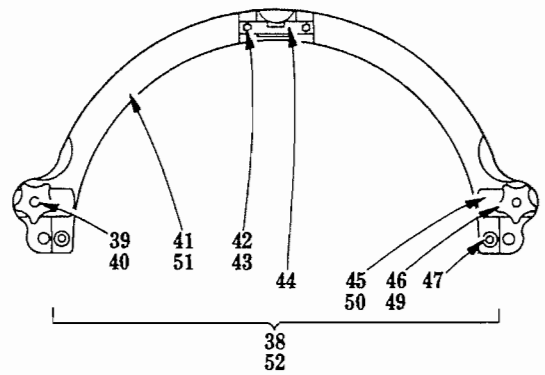
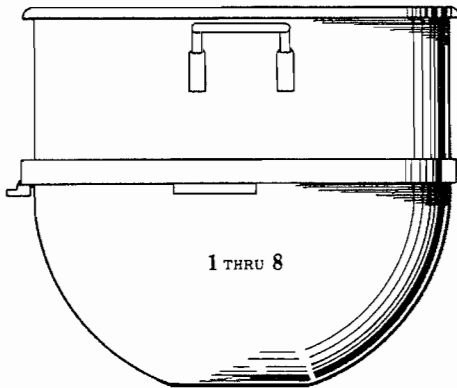
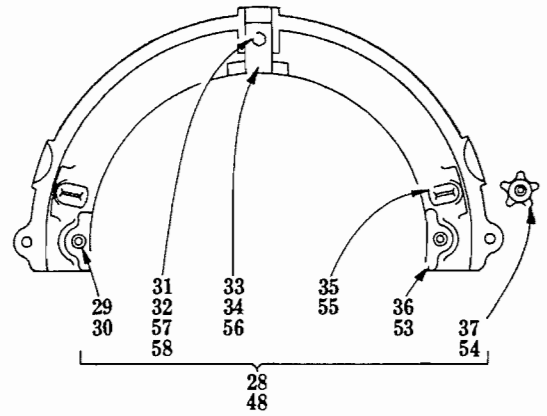
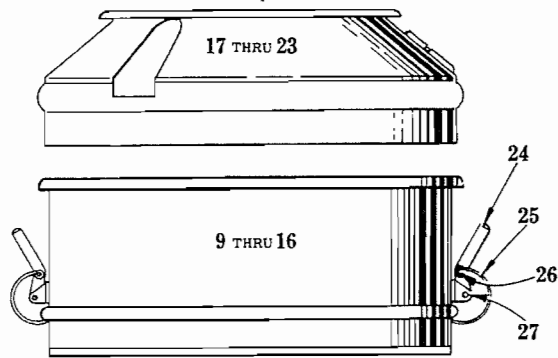
ILLUS. PL-19156	PART NO.	NAME OF PART <sup>26</sup>	AMT.
<b>#12 ATTACHMENT HUB</b>			
1	61914	Bevel - Pinion (16T) .....	1
2	61920-1	Shim - Bevel Pinion (.076" Thk.) .....	AR
3	61920-2	Shim - Bevel Pinion (.079" Thk.) .....	AR
4	61920-3	Shim - Bevel Pinion (.082" Thk.) .....	AR
5	61920-4	Shim - Bevel Pinion (.085" Thk.) .....	AR
6	61920-5	Shim - Bevel Pinion (.088" Thk.) .....	AR
7	61920-6	Shim - Bevel Pinion (.091" Thk.) .....	AR
8	61920-7	Shim - Bevel Pinion (.094" Thk.) .....	AR
9	61920-8	Shim - Bevel Pinion (.097" Thk.) .....	AR
10	61920-9	Shim - Bevel Pinion (.100" Thk.) .....	AR
11	61920-10	Shim - Bevel Pinion (.103" Thk.) .....	AR
12	61920-11	Shim - Bevel Pinion (.106" Thk.) .....	AR
13	BB-13-3	Ball Bearing - Nice #618 .....	1
14	SC-40-50	Cap Screw 5/16-18 x 2 1/4 Soc. Fil. Hd .....	4
15	WL-3-44	Lock Washer 5/16 Medium .....	4
16	BN-2-6	Needle Bearing (Torrington B-2212) .....	2
17	12430-42	Key .....	1
18	61506	Sleeve - Square Drive .....	1
19	WL-3-44	Lock Washer 5/16 Medium .....	1
20	61279	Screw - Special (L.H. Thread) .....	1
21	108197-1	Thumb Screw Assy .....	1
22	61894-3	Hub - Attachment (Painted) .....	1
23	61894-2	Hub - Attachment (Deluxe) .....	1
24	114824-1	Plug - Attachment Hole .....	1
<b>#22 ATTACHMENT HUB</b>			
40	61224	Bevel - Pinion (16T) .....	1
41	61225-1	Shim - Bevel Pinion (.061" Thk.) .....	AR
42	61225-2	Shim - Bevel Pinion (.064" Thk.) .....	AR
43	61225-3	Shim - Bevel Pinion (.067" Thk.) .....	AR
44	61225-4	Shim - Bevel Pinion (.070" Thk.) .....	AR
45	61225-5	Shim - Bevel Pinion (.073" Thk.) .....	AR
46	61225-6	Shim - Bevel Pinion (.076" Thk.) .....	AR
47	61225-7	Shim - Bevel Pinion (.079" Thk.) .....	AR
48	61225-8	Shim - Bevel Pinion (.082" Thk.) .....	AR
49	61225-9	Shim - Bevel Pinion (.085" Thk.) .....	AR
50	61225-10	Shim - Bevel Pinion (.088" Thk.) .....	AR
51	61225-11	Shim - Bevel Pinion (.091" Thk.) .....	AR
52	BB-15-16	Ball Bearing - Fafnir #9106 PP .....	1
53	SC-40-67	Cap Screw 5/16-18 x 2 1/2 Soc. Fil. Hd .....	4
54	WL-3-44	Lock Washer 5/16 Medium .....	4
55	61228-1	Carrier - Bearing (Painted) .....	1
56	61228-3	Carrier - Bearing (Deluxe) .....	1
57	BB-15-16	Ball Bearing - Fafnir #9106 PP .....	1
58	61227	Spacer - Bearing .....	1
59	12430-60	Key .....	1
60	61230	Sleeve - Square Drive .....	1
61	WL-3-44	Lock Washer 5/16 Medium .....	1
62	61279	Screw - Special (L.H. Thread) .....	1
63	108197-2	Thumb Screw Assy .....	1
64	61226-3	Hub - Attachment (Painted) .....	1
65	61226-2	Hub - Attachment (Deluxe) .....	1
66	24799-1	Plug - Attachment Hole (Painted) .....	1
67	24799-2	Plug - Attachment Hole (Deluxe) .....	1



**BOWLS AND EQUIPMENT  
(H600 MIXER)**

**BOWLS AND EQUIPMENT  
(H600 MIXER)**

ILLUS. PL-16957	PART NO.	NAME OF PART <sup>26</sup>	AMT.
1	66462	Bowl - 60 Qt. (SST)	1
2	66461	Bowl - 60 Qt. (Tinned)	1
3	104433	Bowl - 40 Qt. (SST)	1
4	104432	Bowl - 40 Qt. (Tinned)	1
5	104416	Bowl - 30 Qt. (SST)	1
6	104415	Bowl - 30 Qt. (Tinned)	1
7	7985-2	Extension - 40 Qt. Bowl (SST)	1
8	7985-1	Extension - 40 Qt. Bowl (Tinned)	1
9	6474-2	Extension - 30 Qt. Bowl (SST)	1
10	6474-1	Extension - 30 Qt. Bowl (Tinned)	1
11	104681	Cover - Splash (60 Qt.) (Plastic)	1
12	82443-4	Splash Cover Assy. 40 Qt. (SST)	1
13	82443-3	Splash Cover Assy. 40 Qt. (Tinned)	1
14	82443-2	Splash Cover Assy. 30 Qt. (SST)	1
15	82443-1	Splash Cover Assy. 30 Qt. (Tinned)	1
16	8101-2	Knob - Clamp Stud (Deluxe)	2
17	24845-2	Clamp - Adapter (60-40 Qt. & 60-30 Qt., L.H.) (Deluxe)	1
18	WL-4-11	Lock Washer 1/2 Medium	2
19	22196	Bolt - Bowl Lock	2
20	24846	Stud - Bowl Locating	2
21	WL-4-17	Lock Washer 5/8 Light	2
22	SC-62-38	Cap Screw 1/4-20 x 5/8 Hex Hd	2
23	WL-3-38	Lock Washer 1/4 Medium	2
24	24301	Retainer - Bowl	1
25	60222-2	Clamp - Adapter (60-40 Qt. & 60-30 Qt., R.H.) (Deluxe)	1
26	65790-2	Adapter - Bowl (60-40 Qt. & 60-30 Qt.) (Deluxe)	1
27	RP-2-35	Rollpin 3/16 Dia. x 5/8 Lg	2
28	62234-2	Spring - Clamp (60 Qt.) (Flange Top bowl)	2
29	RP-2-7	Rollpin 3/16 Dia. x 1 1/8 Lg	2
30	11881	Handle - Clamp (60 Qt.)	2
31	8569-6	Extension 60 Qt. Bowl (Tinned) (Flange Top Bowl) (Incls. items 27 thru 30)	1
32	8569-8	Extension 60 Qt. Bowl (SST) (Flange Top Bowl) (Incls. items 27 thru 30)	1
33	8101-1	Knob - Clamp Stud (Tinned)	2
34	24845-1	Clamp - Adapter (60-40 Qt. & 60-30 Qt., L.H.) (Tinned)	1
35	60222-1	Clamp - Adapter (60-40 Qt. & 60-30 Qt., R.H.) (Tinned)	1
36	65790-1	Adapter Bowl (60-40 Qt. & 60-30 Qt.) (Tinned)	1
	62087-2	Bowl Adapter Assy. Unit (SST) (60-40 Qt. & 60-30 Qt.) (Incls. items 16 thru 26)	1
	62087-1	Bowl Adapter Assy. Unit (Tinned) (60-40 Qt. & 60-30 Qt.) (Incls. items 18 thru 24 & 33 thru 36)	1



PL-16970

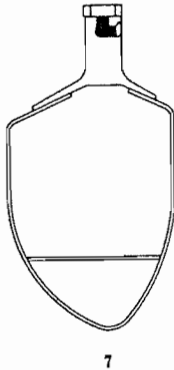
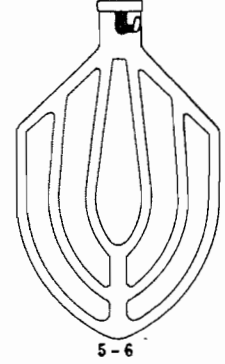
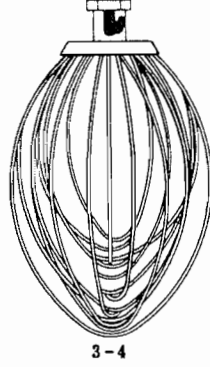
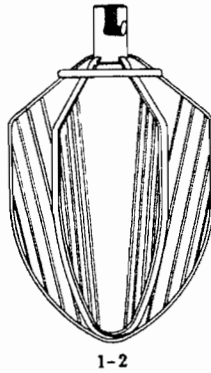
**BOWLS AND EQUIPMENT  
(L800 MIXER)**

## BOWLS AND EQUIPMENT (L800 MIXER)

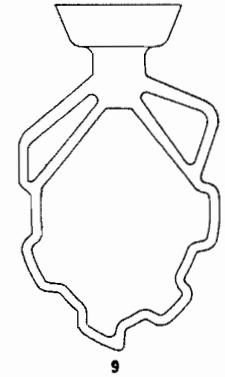
ILLUS. PL-16970	PART NO.	NAME OF PART <sup>26</sup>	AMT.
**1	84920	Bowl - 80 Qt. (SST)	1
2	66465-1	Bowl - 80 Qt. (Tinned)	1
**3	66462	Bowl - 60 Qt. (SST)	1
4	66461	Bowl - 60 Qt. (Tinned)	1
**5	104433	Bowl - 40 Qt. (SST)	1
6	104432	Bowl - 40 Qt. (Tinned)	1
**7	104416	Bowl - 30 Qt. (SST)	1
8	104415	Bowl - 30 Qt. (Tinned)	1
**9	8569-4	Extension - 80 Qt. Bowl (SST) (Flange Top Bowl) (Incls. items 24, 25, 26 & 27)	1
10	8569-2	Extension - 80 Qt. Bowl (Tinned) (Flange Top Bowl) (Incls. items 24, 25, 26 & 27)	1
**11	8569-8	Extension - 60 Qt. Bowl (SST) (Flange Top Bowl) (Incls. items 24, 25, 26 & 27)	1
12	8569-6	Extension - 60 Qt. Bowl (Tinned) (Flange Top Bowl) (Incls. items 24, 25, 26 & 27)	1
**13	7985-2	Extension - 40 Qt. Bowl (SST) (Flange Top Bowl)	1
14	7985-1	Extension - 40 Qt. Bowl (Tinned) (Flange Top Bowl)	1
**15	6474-2	Extension - 30 Qt. Bowl (SST) (Flange Top Bowl)	1
16	6474-1	Extension - 30 Qt. Bowl (Tinned) (Flange Top Bowl)	1
**17	82443-8	Splash Cover Assy. - 80 Qt. (SST)	1
18	82443-7	Splash Cover Assy. - 80 Qt. (Tinned)	1
19	104681	Cover - Splash (60 Qt.) (Plastic)	1
**20	82443-4	Splash Cover Assy. - 40 Qt. (SST)	1
21	82443-3	Splash Cover Assy. - 40 Qt. (Tinned)	1
**22	82443-2	Splash Cover Assy. - 30 Qt. (SST)	1
23	82443-1	Splash Cover Assy. - 30 Qt. (Tinned)	1
24	11881	Handle - Clamp (80 or 60 Qt.) (For items 9 thru 12)	2
25	62234-2	Spring - Bowl Clamp (80 or 60 Qt.) (Flange Top Bowl) (For items 9 thru 12)	2
26	RP-2-7	Rollpin $\frac{3}{16}$ Dia. x $1\frac{1}{8}$ Lg. (For items 9 thru 12)	2
27	RP-2-35	Rollpin $\frac{3}{16}$ x $\frac{5}{8}$ Lg. (For items 9 thru 12)	2
**28	24653-2	Bowl Adapter Assy. (SST) (80-40 Qt. & 80-30 Qt.) (Incls. items 29 thru 37)	1
29	WL-4-17	Lock Washer $\frac{5}{8}$ Light	2
30	7629-2	Stud - Bowl Locating	2
**31	SC-41-43	Cap Screw $\frac{1}{2}$ -13 x 1 Hex Hd	1
**32	WL-6-35	Lock Washer $\frac{1}{2}$ Light	1
**33	7624-2	Retainer - Bowl	1
34	111671	Shim (.010" Thk.)	AR
**35	8100-2	Stud - Clamp	2
**36	111165-2	Adapter (80-40 Qt. & 80-30 Qt.)	1
**37	111268-2	Knob - Clamp Stud	2
**38	61033-2	Bowl Adapter Assy. (SST) (80-60 Qt.) (Incls. items 39 thru 47)	1
39	22196	Bolt - Bowl Lock	2
40	WL-4-11	Lock Washer $\frac{1}{2}$ Medium	2
**41	65791-2	Adapter (80-60 Qt.)	1
42	SC-37-88	Cap Screw $\frac{5}{16}$ -18 x $1\frac{1}{4}$ Hex Hd	2
43	WL-3-47	Lock Washer $\frac{5}{16}$ Medium	2
44	24289	Retainer - Bowl	1
**45	65532-2	Clamp - Bowl Adapter	2
**46	8101-2	Knob - Clamp Stud (Deluxe)	2
47	24300	Pin - Bowl Locating	2
*48	24653-1	Bowl Adapter Assy. (80-40 Qt. & 80-30 Qt.) (Incls. items 29, 30, 34 & 53 thru 58)	1
*49	8101-1	Knob - Clamp Stud (Tinned)	2
*50	65532-1	Clamp - Bowl Adapter	2
*51	65791-1	Adapter (80-60 Qt.)	1
*52	61033-1	Bowl Adapter Assy. (60 Qt.) (Incls. items 39, 40, 42, 43, 44, 47, 49, 50 & 51)	1
*53	111165-1	Adapter (80-40 Qt. & 80-30 Qt.)	1
*54	111268-1	Knob - Clamp Stud	2
*55	8100-1	Stud - Clamp	2
*56	7624-1	Retainer - Bowl	1
*57	WL-4-11	Lock Washer $\frac{1}{2}$ Medium	1
*58	SC-62-37	Cap Screw $\frac{1}{2}$ -13 x 1 Hex Hd	1
**107124		Bowl - 80 Qt. (Reinforced) (Not Shown)	1

\*L800.

\*\*L800-D.

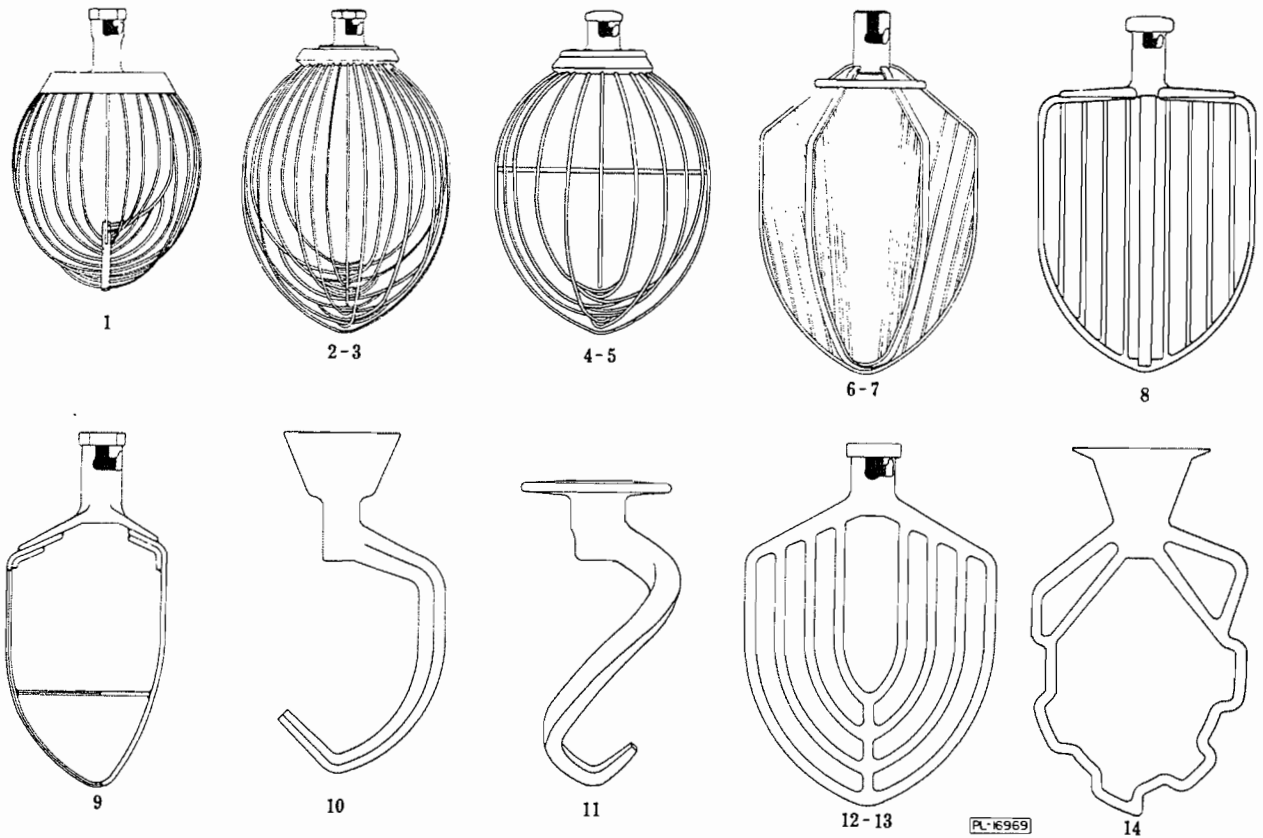


PL-15998



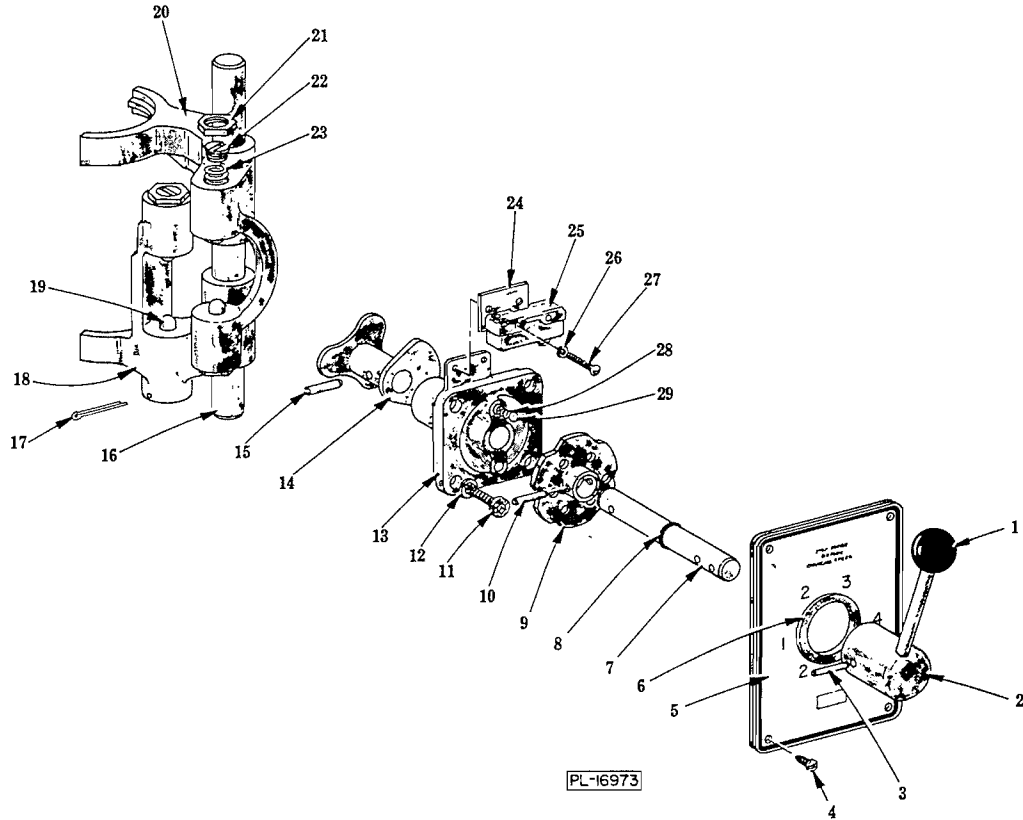
**AGITATORS  
(H600 MIXERS)**

ILLUS. PL-15998	PART NO.	PART NO.	PART NO.	NAME OF PART <sup>26</sup>	AMT.
1	123486	123682	— — —	"C" Six Wing Whip . . . . .	1
2	— — —	— — —	123714	"C" Four Wing Whip (Not Shown) . . . . .	1
3	24900-2	23591-2	10327-2	"D" Wire Whip (SST) . . . . .	1
4	— — —	— — —	10327-1	"D" Wire Whip (Tinned) . . . . .	1
5	24308-2	24847	60052-2	"B" Flat Beater (SST) . . . . .	1
6	24308-1	23620	60052-1	"B" Flat Beater (Alum.) . . . . .	1
7	68096	68095	68822	"P" Pastery Knife . . . . .	1
8	121071	— — —	— — —	"ED" Dough Arm - Spiral . . . . .	1
9	60069	8400	10326	"S" Sweet Dough Arm . . . . .	1
	60090	60132-2	72871	"I" Wire Whip (Not Shown) . . . . .	1
	— — —	80693	72858	"E" Dough Arm (Not Shown) . . . . .	1



**AGITATORS  
(L800 MIXERS)**

ILLUS. PL-16969	PART NO.				NAME OF PART <sup>26</sup>	AMT.
	80 Qt.	60 Qt.	40 Qt.	30 Qt.		
1	16418-1	---	---	---	"K" Spiral Whip	1
2	23522-2	24900-2	23591-2	10327-2	"D" Wire Whip (SST)	1
3	---	---	---	10327-1	"D" Wire Whip (Tinned) (Not Shown)	1
4	---	---	60132-2	72871	"I" Wire Whip (SST) (Not Shown)	1
5	121036	60090	---	---	"I" Wire Whip (Tinned)	1
6	123489	123486	123682	---	"C" Six Wing Whip	1
7	---	---	---	123714	"C" Four Wing Whip (Not Shown)	1
8	15320	---	---	---	"J" Four Wing Beater	1
9	104229	68096	68095	68822	"P" Pastry Knife	1
10	---	---	80693	72858	"E" Dough Arm	1
11	86841	121071	---	---	"ED" Dough Arm (Spiral)	1
12	24860	243308-2	24847	60052-2	"B" Flat Beater (SST)	1
13	23490	24308-1	23620	60052-1	"B" Flat Beater (Alum.)	1
14	9875-1	60069	8400	10326	"S" Sweet Dough Arm	1



SHIFTING UNIT

ILLUS. PL-16973	PART NO.	NAME OF PART <sup>25</sup>	AMT.
1	60468	Knob - Gear Shift	1
2	60469	Handle & Hub Assy	1
3	RP-2-3	Rollpin $\frac{3}{16}$ Dia. x $1\frac{1}{4}$ Lg	1
4	123131	Self-Tapping Screw 8-32 x $\frac{3}{8}$ Truss Hd. "Tapite"	4
5	117873-1	Plate - Shift Selector	1
6	60395	Grommet - Gear Shift	1
7	60400	Shaft - Gear Shift	1
8	67500-6	"O" Ring	1
9	60394	Hub & Cam Assy	1
10	RP-2-10	Rollpin $\frac{3}{16}$ Dia. x 1 Lg	1
11	SC-40-14	Cap Screw $\frac{5}{16}$ -18 x $\frac{3}{4}$ Soc. Fil. Hd	4
12	WL-3-44	Lock Washer $\frac{5}{16}$ Medium	4
13	60359	Bracket - Gear Shift	1
14	24249	Gear Shift Cam Assy	1
15	RP-2-5	Rollpin $\frac{1}{4}$ Dia. x $\frac{7}{8}$ Lg	1
16	24227	Shaft - Shifter	1
17	PC-3-24	Cotter Pin $\frac{1}{16}$ x $1\frac{1}{2}$	1
18	24228	Yoke - Lower Shifting	1
19	24230	Plunger - Shifting Yoke	4
20	24229	Yoke - Upper Shifting	1
21	24232	Nut - Plunger Screw	3
22	60723	Screw - Shifting Plunger	4
23	24233	Spring - Shifting Plunger	4
24	60679	Insulator	1
25	87711-71-1	Switch - Interlock	1
26	WL-3-7	Lock Washer 6 Light	2
27	SC-9-45	Mach. Screw 6-32 x 1 Rd. Hd	2
28	7009	Spring	2
29	BA-2-18	Ball $\frac{3}{8}$ Dia	2
	89676	Gear Shift Assy. (Incls. items 2, 3, 7, 8, 9, 10, 13, 14, 15, 28 & 29)	1
	89670-1	Shifting Yoke Assy. (Incls. items 16 thru 23)	1